

Main applications

For pumping and venting of vacuum systems with large gas flows



Ordering information

Valve with manual actuator
removable handwheel

	DN		Ordering numbers			
	mm	inch	Angle valve		Inline valve	
			aluminum	stainless steel	aluminum	stainless steel
ISO-KF	10	3/8	–	24420-KE01	–	–
	16	5/8	24424-KA01	24424-KE01	24524-KA01	24524-KE01
	25	1	24428-KA01	24428-KE01	24528-KA01	24528-KE01
	40	1 1/2	24432-KA01	24432-KE01	24532-KA01	24532-KE01
	50	2	24434-KA01	24434-KE01	24534-KA01	24534-KE01
ISO-K	63	2 1/2	24436-QA01	24436-QE01	–	–
	80	3	24438-QA01	–	24538-QA01	–

Valve with pneumatic actuator
single acting with closing spring (NC)
without solenoid valve
without position indicator

ISO-KF	10	3/8	–	24420-KE11	–	–
	16	5/8	24424-KA11	24424-KE11	24524-KA11	24524-KE11
	25	1	24428-KA11	24428-KE11	24528-KA11	24528-KE11
	40	1 1/2	24432-KA11	24432-KE11	24532-KA11	24532-KE11
	50	2	24434-KA11	24434-KE11	24534-KA11	24534-KE11
ISO-K	63	2 1/2	24436-QA11	24436-QE11	–	–
	80	3	24438-QA11	–	24538-QA11	–
	100	4	24440-QA11	–	–	–
	160	6	24444-QA11	–	–	–

without solenoid valve, with position indicator: 24 **21**

with solenoid valve, without position indicator: 24 **31** (specify control voltage)

with solenoid valve, with position indicator: 24 **41** (specify control voltage)

Valve with pneumatic actuator
single acting with opening spring (NO)
without solenoid valve
without position indicator

ISO-KF	10	3/8	–	24420-KE12	–	–
	16	5/8	24424-KA12	24424-KE12	24524-KA12	24524-KE12
	25	1	24428-KA12	24428-KE12	24528-KA12	24528-KE12
	40	1 1/2	24432-KA12	24432-KE12	24532-KA12	24532-KE12
	50	2	24434-KA12	24434-KE12	24534-KA12	24534-KE12

without solenoid valve, with position indicator: 24 **22**

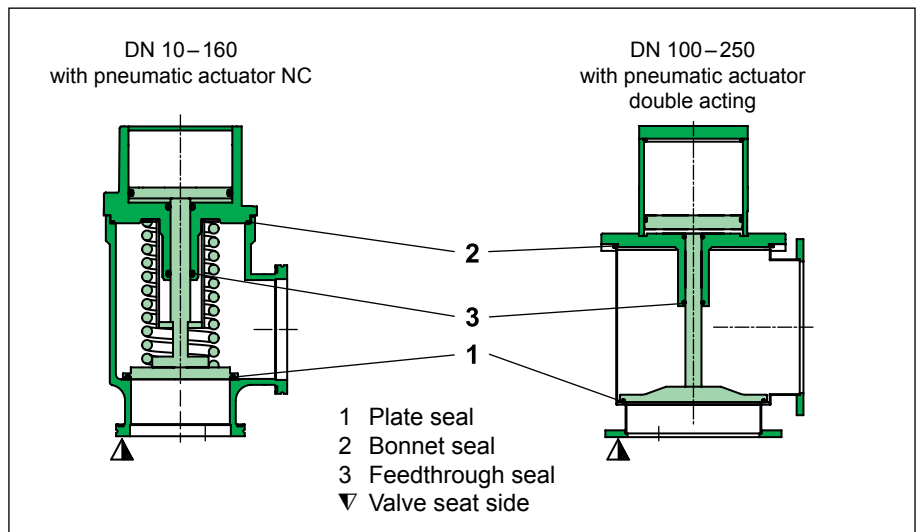
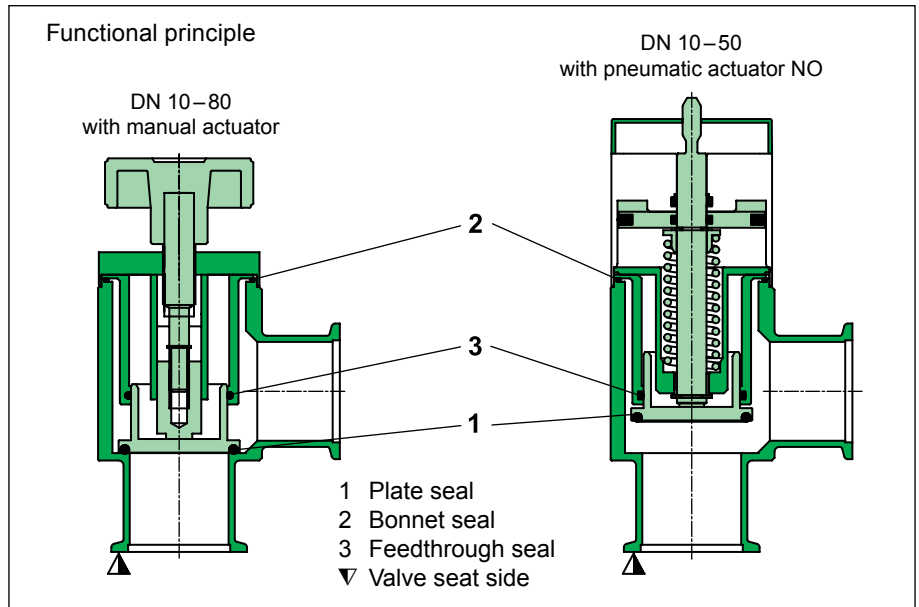
with solenoid valve, without position indicator: 24 **32** (specify control voltage)

with solenoid valve, with position indicator: 24 **42** (specify control voltage)

————— Further ordering information on next page —————>

Features

- Body material: aluminum or stainless steel
- Angle and inline version
- Shaft feedthrough
- Resistant against differential pressure
- Long lifetime



Technical data

See series 26, pages 183–185

Continued Ordering information

Valve with pneumatic actuator
double acting
without solenoid valve
without position indicator

	DN		Ordering numbers	
	mm	inch	aluminum	stainless steel
ISO-K	100	4	24440-QA14	24440-QE14
	160	6	24444-QA14	24444-QE14
	200	8	–	24446-QE14
	250	10	–	24448-QE14

without solenoid valve, with position indicator: 244 . . -Q . 24
with solenoid valve, without position indicator: 244 . . -Q . 34 (specify control voltage)
with solenoid valve, with position indicator: 244 . . -Q . 44 (specify control voltage)

Valve with electromagnetic actuator

See pages 190–191