

Series 07.6

Main applications

Load lock chamber isolation on the atmospheric side of semiconductor production systems for 200, 300 and 450 mm wafers



Ordering information

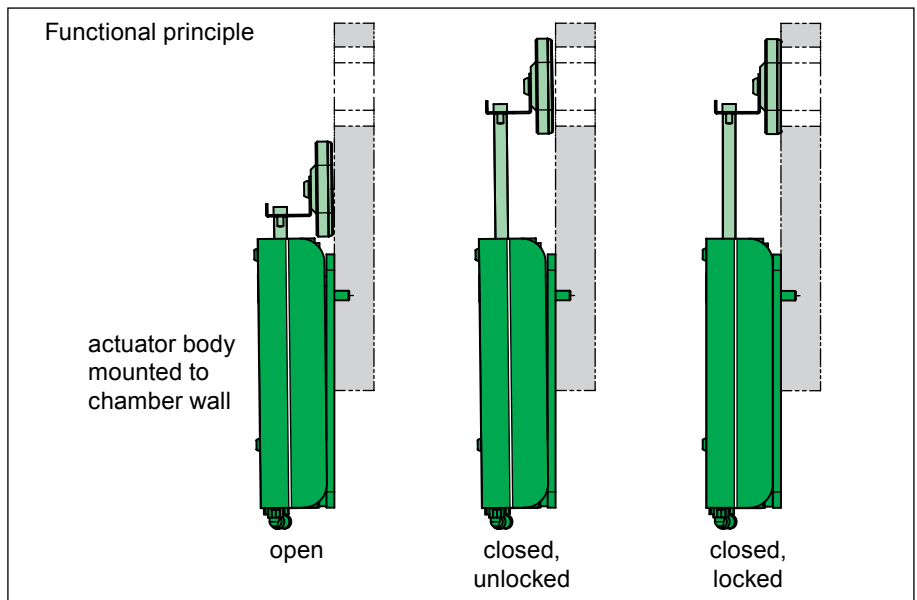
Door with pneumatic actuator
double acting
with position indicator

SEMI E21.1-1296

| DN (D1 × D) | | Ordering numbers (* specify control voltage) | |
|------------------------|--------------|--|-----------------------------|
| mm | inch | aluminum | |
| | | without solenoid valve | with impulse solenoid valve |
| 50 × 336 | 1.97 × 13.23 | 07612-UA24 | 07612-UA44 * |
| 56 × 496 | 2.20 × 19.53 | 07613-UA24 | 07613-UA44 * |
| Other sizes on request | | | |

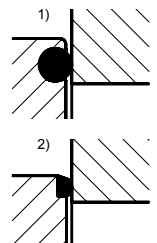
Features

- Easy installation
- Vulcanized gate seal: see glossary
- Fast closing and opening
- Long lifetime of actuator
- Virtually particle and vibration-free
- Easy maintenance



Options

- Other solenoid valve voltage (standard: 24 VDC)
- Other sealing materials
- O-ring seal ¹⁾ in gate (standard: vulcanized seal ²⁾)
- Pneumatically locked in closed and open position
- Parts kit for fast replacement of the door 07.5 against the door 07.6



Technical data

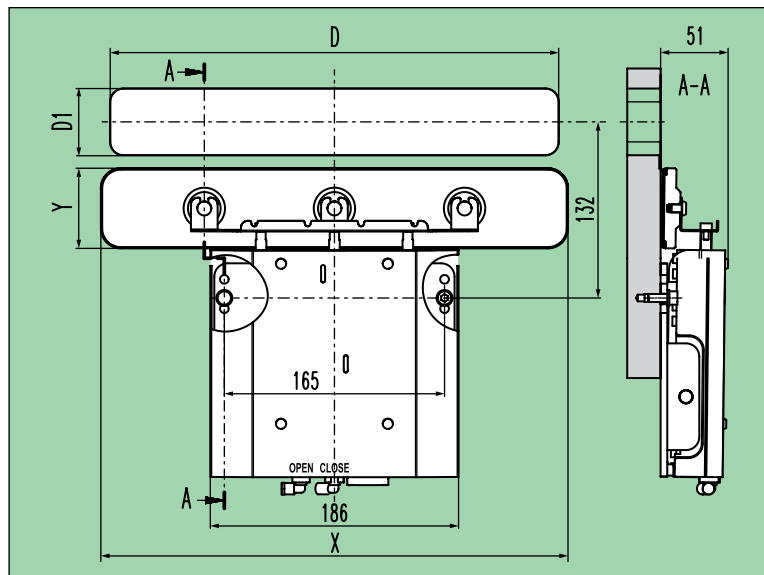
| | |
|------------------------------------|---|
| Leak rate ¹⁾ : gate | < 1 · 10 ⁻⁹ mbar ls ⁻¹ |
| Pressure range | 1 · 10 ⁻⁹ mbar to 1 bar (abs) |
| Differential pressure on the gate | |
| – In closing direction | 1 bar |
| – In opening direction | 0 bar |
| Cycles until first service | ≥ 3 million |
| Temperature ²⁾ | |
| – Gate | ≤ 150 °C |
| – Actuator | ≤ 80 °C |
| – Solenoid valve | ≤ 50 °C |
| – Position indicator | ≤ 60 °C |
| Material: gate | EN AW-6082 (3.2315), EN AW-5083 (3.3547) or EN AW-6061 (3.3211) |
| Seal: gate | FKM (Viton®) |
| Compressed air connection | quick connect fitting for 4 mm tube |
| Mounting position | actuator up or down |
| Impulse solenoid valve | 24 VDC, 2.5 W (others on request) |
| Position indicator: contact rating | |
| – Voltage | ≤ 50 VAC/DC |
| – Current | ≤ 0.5 A |
| – Power | max. 10 W |
| – Connection | 9 pin subminiature D |

¹⁾ With FKM (Viton®) seal

²⁾ Maximum values: depending on operating conditions and sealing materials

| DN (D1 × D) D1 slit height D slit length | | Compressed air min. – max. overpressure | | Volume of pneumatic actuator | | Closing or opening time | Weight | |
|--|--------------|---|--------|------------------------------------|-----------------|----------------------------|--------|------|
| mm | inch | bar | psi | l | ft ³ | | kg | lbs |
| 50 × 336 | 1.97 × 13.23 | 4–7 | 58–102 | 0.25 | 0.007 | ≤ 1 | 4.3 | 9.5 |
| 56 × 496 | 2.20 × 19.53 | 4–7 | 58–102 | 0.25 | 0.007 | ≤ 1 | 4.9 | 10.8 |

Dimensions



| D1 × D | mm inch | 50 × 336 1.97 × 13.23 | 56 × 496 2.20 × 19.53 |
|--------|------------|--------------------------|--------------------------|
| D | mm inch | 336 13.23 | 496 19.53 |
| D1 | mm inch | 50 1.97 | 56 2.20 |
| X | mm inch | 359 14.13 | 520 20.47 |
| Y | mm inch | 59 2.32 | 76 3 |