

Series 01.2

Main applications

General purpose valve for isolation in vacuum applications



Ordering information

Valve with manual actuator
toggle lever

DN		Ordering numbers
mm	inch	ISO-KF
16	$\frac{5}{8}$	01224-KA06
25	1	01228-KA06
40	1½	01232-KA06
50	2	01234-KA06

Valve with pneumatic actuator
double acting
without solenoid valve
without position indicator

DN		Ordering numbers
mm	inch	ISO-KF
16	$\frac{5}{8}$	01224-KA14
25	1	01228-KA14
40	1½	01232-KA14
50	2	01234-KA14

without solenoid valve, with position indicator: 012 . . -KA24

with solenoid valve, with position indicator: 012 . . -KA44 (specify control voltage)

Features

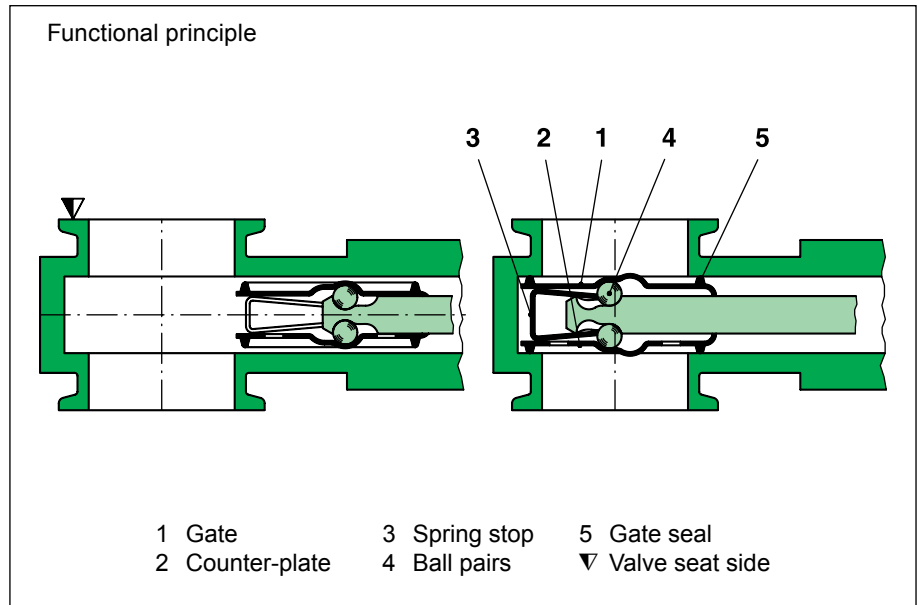
Body material: aluminum

Small and leight-weight

Low cost

Vulcanized seal (no dead volumes at the gate seal): see glossary

VATLOCK system: see glossary



Technical data

Leak rate: valve body, valve seat	$< 1 \cdot 10^{-9}$ mbar ls ⁻¹
Pressure range	$1 \cdot 10^{-7}$ mbar to 1 bar (abs)
Differential pressure on the gate	≤ 1 bar
Differential pressure at opening	≤ 30 mbar
Cycles until first service	50000
Temperature ¹⁾	
– Valve body	≤ 100 °C
– Manual and pneumatic actuator	≤ 80 °C
– Solenoid valve	≤ 50 °C
– Position indicator	≤ 80 °C
Heating and cooling rate	≤ 30 °C h ⁻¹
Material	
– Valve body	EN AW-6082 (3.2315)
– Gate	AISI 301 (1.4310)
Seal: bonnet, gate	FKM (Viton®)
Feedthrough	shaft feedthrough
Mounting position	any
Solenoid valve	24 VDC, 5.4 W (others on request)
Position indicator: contact rating	
– Voltage	≤ 50 VAC / DC
– Current	≤ 0.1 A
– Power	max. 10 W
Valve position indication	visual (mechanical)

¹⁾ Maximum values: depending on operating conditions and sealing materials

Further technical data on next page →

Continued Technical data

DN (nominal I. D.)		Standard flanges	Conductance (molecular flow) (depending on A-dimension)	Valve with manual actuator		Valve with pneumatic actuator						
				Weight		Compressed air min. – max. overpressure		Volume of pneumatic actuator		Closing or opening time	Weight	
mm	inch	See page 25	ls ⁻¹	kg	lbs	bar	psi	l	ft ³	s	kg	lbs
16	5/8		10	0.4	0.9	4.5–7	65–102	0.01	0.0004	0.8	0.8	1.8
25	1		34	0.4	0.9	4.5–7	65–102	0.03	0.001	1.1	0.8	1.8
40	1 1/2		140	0.7	1.5	4.5–7	65–102	0.07	0.002	1.2	1.2	2.7
50	2		260	0.7	1.5	4.5–7	65–102	0.07	0.002	1.3	1.2	2.7

Options

Actuator

- Solenoid valve for impulse actuation:
last valve position is maintained at power failure
- Solenoid valve separate, for external mounting
- Other solenoid valve voltage (standard: 24 VDC)
- Manual emergency operation on solenoid valve lockable

Ordering information for options:

Ordering No. of valve-X
(e. g. 01232-KA44-X, X = solenoid valve for impulse actuation)

Spare parts

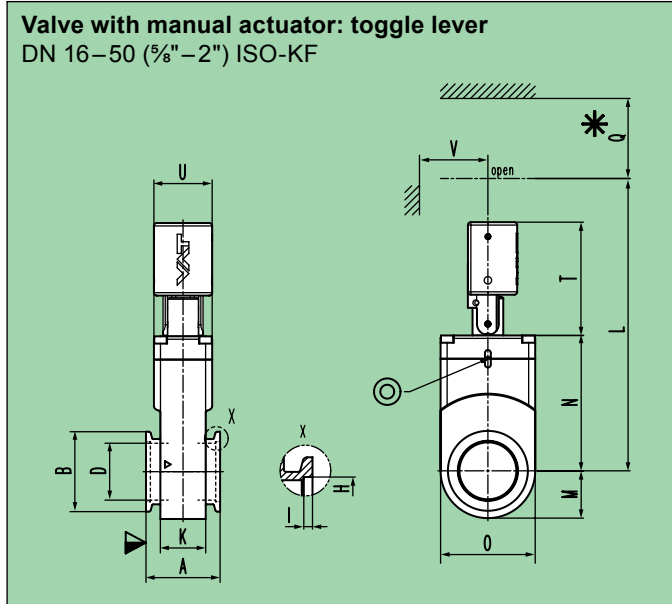
- **Seals**
on request (specify fabrication number of valve)

Accessories

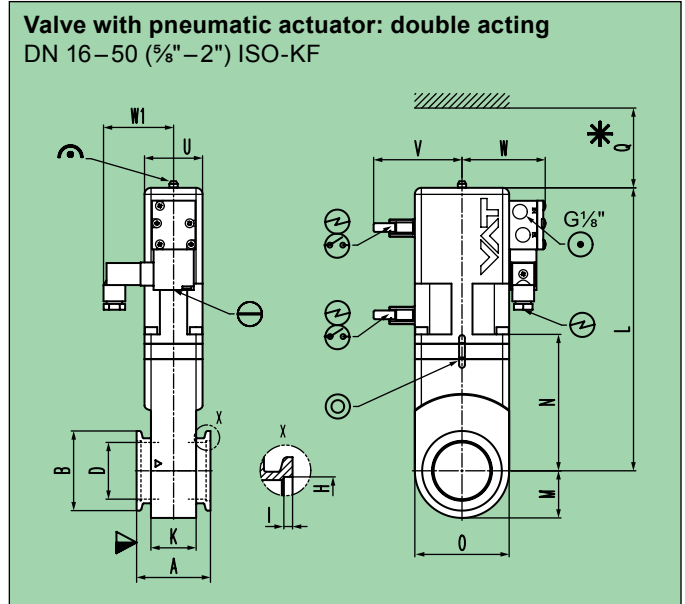
- **Flange connections**
for installation of the valve: see series 31

Dimensions

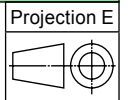
Valve with manual actuator: toggle lever
DN 16–50 (5/8"–2") ISO-KF



Valve with pneumatic actuator: double acting
DN 16–50 (5/8"–2") ISO-KF



- ▽ Valve seat side
- * Required for dismantling
- ⊙ Compressed air connection
- ⊖ Electrical connection
- ⊙ Mechanical position indication
- ⊙ Position indicator
- ⊖ Emergency operation



DN	mm	16	25	40	50
	inch	5/8	1	1 1/2	2
A	mm	40	50	51	55
	inch	1.57	1.97	2.01	2.17
B	mm	30	40	55	75
	inch	1.18	1.57	2.17	2.95
D	mm	15	24	39	49
	inch	0.59	0.94	1.54	1.93
H	mm	17.20	26.20	41.20	52.20
	inch	0.68	1.03	1.62	2.06
I	mm	3	3	3	3
	inch	0.12	0.12	0.12	0.12
K	mm	25	32	31	33
	inch	0.98	1.26	1.22	1.30
L	mm	100	139	208	240
	inch	3.94	5.47	8.19	9.45
M	mm	15	22	32.50	37.50
	inch	0.59	0.87	1.28	1.48
N	mm	39	59	93	108
	inch	1.55	2.32	3.66	4.25
O	mm	30	44	65	75
	inch	1.18	1.73	2.56	2.95
Q	mm	25	35	55	65
	inch	0.98	1.38	2.17	2.56
T	mm	37	50	85	93
	inch	1.46	1.97	3.35	3.67
U	mm	25	32	40	40
	inch	0.98	1.26	1.57	1.57
V	mm	30	30	50	55
	inch	1.18	1.18	1.97	2.17

DN	mm	16	25	40	50
	inch	5/8	1	1 1/2	2
A	mm	40	50	51	55
	inch	1.57	1.97	2.01	2.17
B	mm	30	40	55	75
	inch	1.18	1.57	2.17	2.95
D	mm	15	24	39	49
	inch	0.59	0.94	1.54	1.93
H	mm	17.20	26.20	41.20	52.20
	inch	0.68	1.03	1.62	2.06
I	mm	3	3	3	3
	inch	0.12	0.12	0.12	0.12
K	mm	25	32	31	33
	inch	0.98	1.26	1.22	1.30
L	mm	105	136	196	220
	inch	4.13	5.35	7.72	8.66
M	mm	15	22	32.50	37.50
	inch	0.59	0.87	1.28	1.48
N	mm	39	56	88	103
	inch	1.55	2.20	3.46	4.06
O	mm	30	44	65	75
	inch	1.18	1.73	2.56	2.95
Q	mm	25	35	55	65
	inch	0.98	1.38	2.17	2.56
U	mm	25	32	40	40
	inch	0.98	1.26	1.57	1.57
V	mm	56	61	65	65
	inch	2.20	2.40	2.56	2.56
W	mm	55	60	61	66
	inch	2.17	2.36	2.40	2.60
W1	mm	50	50	50	50
	inch	1.97	1.97	1.97	1.97