

## BUTTERFLY AND ISOLATION VALVE, SERIES 95.1/95.2

Control and isolation valve combined as a compact unit.



Series 95.1  
DN 25 – 50

Series 95.2  
DN 63 – 250

Series 95.1: Series 61.2 Butterfly control valve and Series 26.4 HV angle valve

Opening at 1 bar differential pressure possible

Series 95.2: Series 61.2 Butterfly control valve and Series 12.1 vacuum gate valve

### MAIN FEATURES

Sizes	DN 25 – 250 mm (1" – 10")
Actuator	integrated pressure controller with stepper motor
Body material	aluminum or stainless steel
Standard flanges	ISO-KF, ISO-F

## TECHNICAL DATA

Leak rate <sup>1)</sup>	Valve body, valve seat	<1·10 <sup>-9</sup> mbar ls <sup>-1</sup>	
Pressure range <sup>1)</sup>	95.1	1·10 <sup>-8</sup> mbar to 1.2 bar (abs)	
	95.2	1·10 <sup>-7</sup> mbar to 1.2 bar (abs)	
Cycles until first service <sup>2)</sup>	Pressure control	2 million	
	Closing / opening	DN 25 – 50	2 million
		DN 63 – 100	200 000
	DN 160 – 250	100 000	
Temperature <sup>2)</sup>	Valve body	≤ 120 °C	
	Ambient	max. 50 °C (≤ 35 °C recommended)	
Mounting position		any	

DN (nominal I. D.)		Conductance (molecular flow)	Minimum controllable conductance (molecular flow)	Compressed air min. – max. overpressure		Max. differential pressure during closing	Max. differential pressure during opening	Max. differential pressure during pressure control	Operating time for throttling	Typical closing or opening time	Weight: aluminum valve		Weight: stainless steel valve	
mm	inch	ls <sup>-1</sup>	ls <sup>-1</sup>	mbar					s		kg	lbs	kg	lbs
25	1	8.50	0.15	4 – 8	58 – 116	1.20	1000	1	0.30	0.60	2.70	6	3.60	8
40	1½	29	0.25	4 – 8	58 – 116	1.20	1000	1	0.30	0.60	3.60	7.90	5.70	12.50
50	2	52	0.30	4 – 8	58 – 116	1.20	1000	1	0.30	0.70	4.20	9.30	6.80	15
63	2½	210	0.45	4 – 7	58 – 102	1.20	30	1	0.30	1.50	7.10	15.60	–	–
80	3	450	0.65	4 – 7	58 – 102	1.20	30	1	0.30	1.70	7.90	17.40	–	–
100	4	800	0.85	4 – 7	58 – 102	1.20	30	0.80	0.30	2	9.10	20	–	–
160	6	2300	1.70	4 – 7	58 – 102	1.20	30	0.30	0.30	2	15.80	34.80	–	–
200	8	4700	2.80	4 – 7	58 – 102	1.20	30	0.15	0.30	3	25.70	56.60	–	–
250	10	8900	5	4 – 7	58 – 102	1.20	30	0.10	0.30	5	41.50	91.50	–	–

<sup>1)</sup> Unheated on delivery.

<sup>2)</sup> Maximum values: depending on operating conditions and sealing materials.

Technical data for pressure controller: see pages 184 – 189

## SPARE PARTS

We can offer a wide variety of spare parts. Please contact us for details and an offer.

Thank you for specifying the fabrication number of the valve indicated on the identification tag when asking for spare parts.

## ACCESSORIES

Flange connections for installation of the valve: see series 31 and 32

## ORDERING INFORMATION

FOR STANDARD VALVES

Valve with integrated pressure controller and stepper motor

DN		Ordering numbers							
mm	inch	Series 95.1				Series 95.2			
		aluminum ISO-KF		stainless steel ISO-KF		aluminum ISO-F		stainless steel ISO-F	
25	1	95128-KA	x	y	95128-KE	x	y	-	-
40	1½	95132-KA	x	y	95132-KE	x	y	-	-
50	2	95134-KA	x	y	95134-KE	x	y	-	-
63	2½							95236-PA	x y
80	3							95238-PA	x y
100	4							95240-PA	x y
160	6							95244-PA	x y
200	8							95246-PA	x y
250	10							95248-PA	x y

Controller configurations:	x	y	Interface	Number of sensors
G = basic version			G = RS232	1
A = with SPS			H = RS232	2
H = with PFO			V = RS232 + analog output	1
C = with SPS and PFO			W = RS232 + analog output	2
T = basic version with VC master			C = Logic (analog / digital)	1
V = with SPS and VC master			E = Logic (analog / digital)	2
U = with PFO and VC master			P = DeviceNet®	1
W = with SPS, PFO and VC master			Q = DeviceNet®	2
			D = Profibus	1
			F = Profibus	2
			J = RS485	1
			K = RS485	2
			Y = Ethernet	1
			Z = Ethernet	2
			L = CC-Link	1
			N = CC-Link	2
			I = EtherCAT	1
			X = EtherCAT	2
			S = VC slave (without interface)	

SPS = Sensor Power Supply (±15 V DC power supply for sensor)
PFO = Power Failure Option (valve closes / opens automatically at power failure)
VC = Valve Cluster (for operating several valves synchronously)

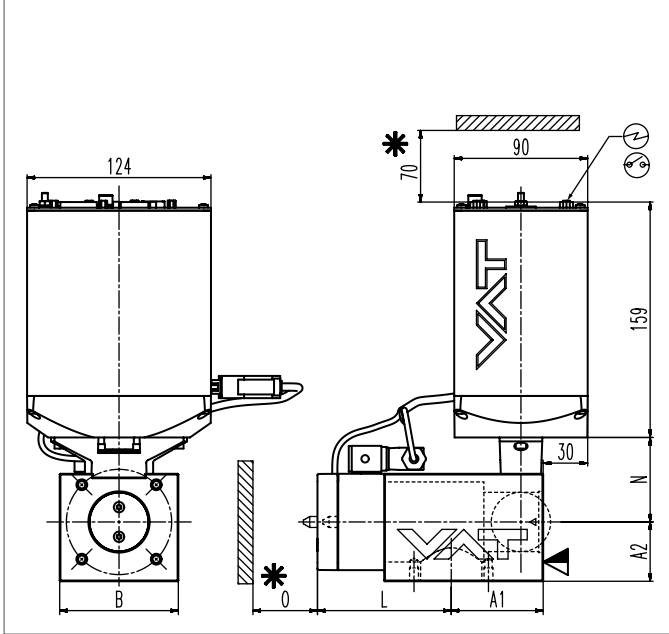
Example: 95240-PAGG

= aluminum valve with ISO-F DN 100 flanges, RS232 interface, for 1 sensor

Pressure controller: see pages 184 – 189

### DIMENSIONS

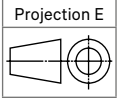
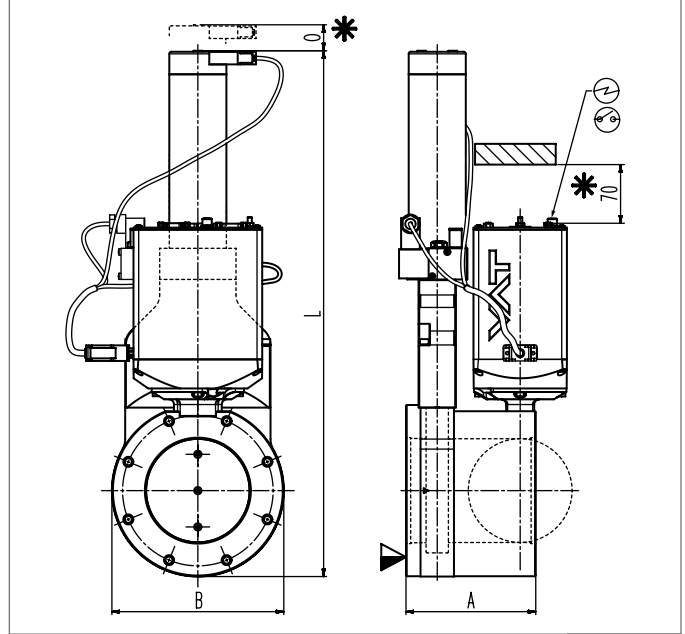
**Valve with integrated pressure controller and stepper motor**  
Series 95.1: DN 25 – 50 (1" – 2") ISO-KF



- ▼ Valve seat side
- \* Required for dismantling
- ⊕ Electrical connection
- ⊙ Position indicator

DN	mm	25	40	50
	inch	1	1½	2
A1	mm	44	62	69
	inch	1.73	2.44	2.72
A2	mm	35	40	43
	inch	1.38	1.57	1.69
B	mm	60	80	86
	inch	2.36	3.15	3.39
L	mm	64	90	99
	inch	2.52	3.54	3.90
N	mm	54	57	62
	inch	2.13	2.24	2.44
O	mm	44	74	85.50
	inch	1.73	2.91	3.37

**Valve with integrated pressure controller and stepper motor**  
Series 95.2: DN 63 – 250 (2½" – 10") ISO-F



DN	mm	63	80	100	160	200	250
	inch	2½	3	4	6	8	10
A	mm	125	125	125	140	175	210
	inch	4.92	4.92	4.92	5.51	6.89	8.27
B	mm	131	146	166	237	290	352
	inch	5.16	5.75	6.54	9.33	11.42	13.86
L	mm	407	448	508	665	832	1018
	inch	16.02	17.64	20	26.18	32.76	40.08
O	mm	25	25	25	60	80	100
	inch	0.98	0.98	0.98	2.36	3.15	3.94

