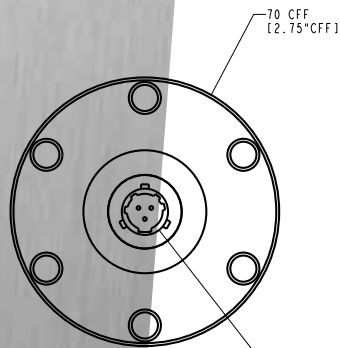




N300 Non-Evaporable Getter

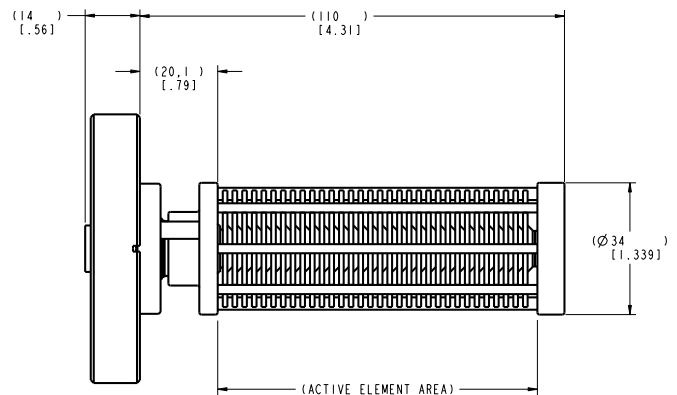


MS3476A8-33P:
HEATER CONNECTIONS: PINS B AND C

TECHNICAL SPECIFICATIONS

	H ₂	CO (25° C)	CO (total)
Pumping Speed, l/s*	312	125	
Sorption Capacity, Torr · l	2880	0.6	1296
Alloy Composition	Zr (70%), V (24.6%), Fe (5.4%)		
Getter Mass, g	144		
Getter Surface Area, cm ²	856		
Total Mass, kg (lbs)	0.80 (1.79)		
Flange	DN 35 (2.75 in.) CFF		

DIMENSIONAL DETAILS*



*Pumping speeds reference initial speed values at 25° C in exposed configuration

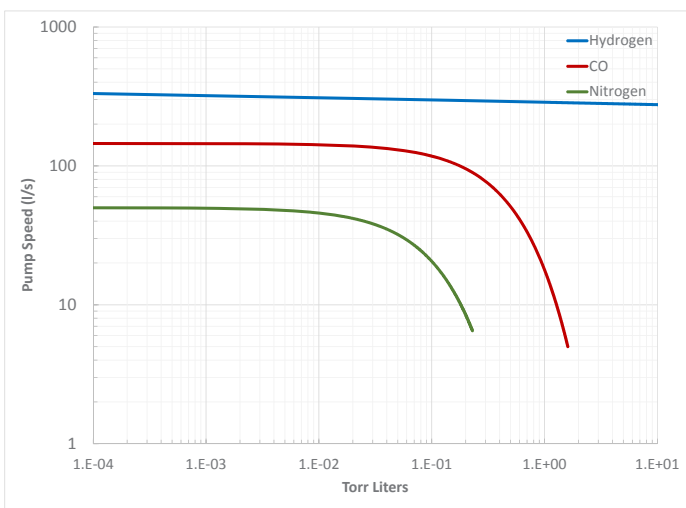
ORDERING INFORMATION

Part Number	Description	Compatible Products
N300	NEG 300, 2.75 CF MS3476A8-33P Compatible	Side/internally mountable on 75S
N301	NEG 300, Double 2.75 CF Through Hole, MS3476A8-33P Compatible	Top mountable on 5S, 10S, 25S, 45S, 75S
N302	NEG 300, Double 2.75 CF M6 Tapped Flange, MS3476A8-33P Compatible	Top mountable on 5S, 10S, 25S, 45S, 75S
TSP-1-US110-232-N-N*	TSP/NEG Pump Controller	N50, N100, N200, N300, N400
MS-RS3-N300*	Military to N300, Silicone	N300

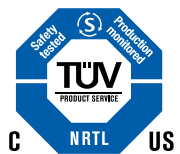
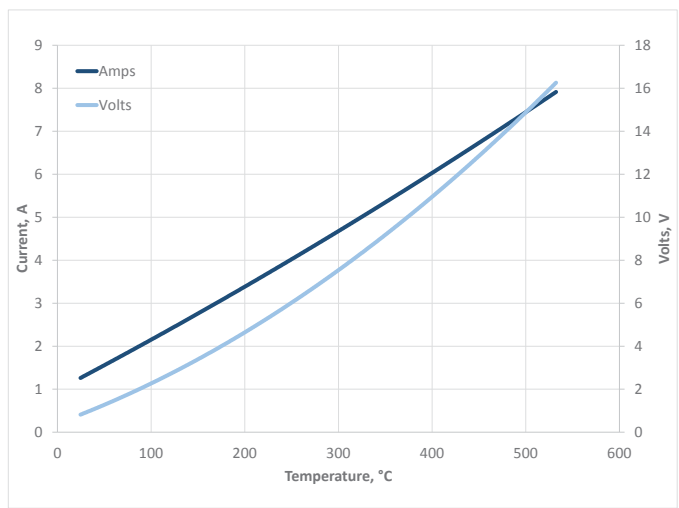
*Configured part numbers and pricing are available at www.gammavacuum.com. Contact us directly for custom engineered options.

PERFORMANCE CHARACTERISTICS

Pumping Speed vs. Sorbed Quantity
measured in accordance with ASTM F798-97



Temperature vs. Current/Volts
applies to N300, N301, N302



GAMMA VACUUM

Part of the Atlas Copco Group
 2915 133rd Street West
 Shakopee, MN 55379 | USA
 800.237.3603 T | 952.445.4841 P
 952.445.7615 F

gammavacuum.com | info@gammavacuum.com