

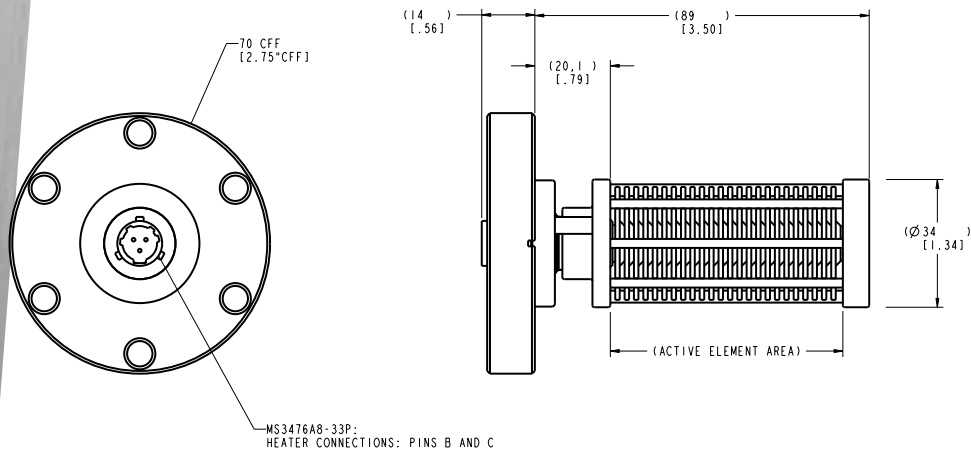


# N200 Non-Evaporable Getter

## TECHNICAL SPECIFICATIONS

	H2	CO (25° C)	CO (total)
Pumping Speed, l/s*	208	94	
Sorption Capacity, Torr · l	2160	0.4	972
Alloy Composition	Zr (70%), V (24.6%), Fe (5.4%)		
Getter Mass, g	108		
Getter Surface Area, cm <sup>2</sup>	642		
Total Mass, kg (lbs)	0.75 (1.65)		
Flange	DN 35 (2.75 in.) CFF		

## DIMENSIONAL DETAILS\*



\*Pumping speeds reference initial speed values at 25° C in exposed configuration

## ORDERING INFORMATION

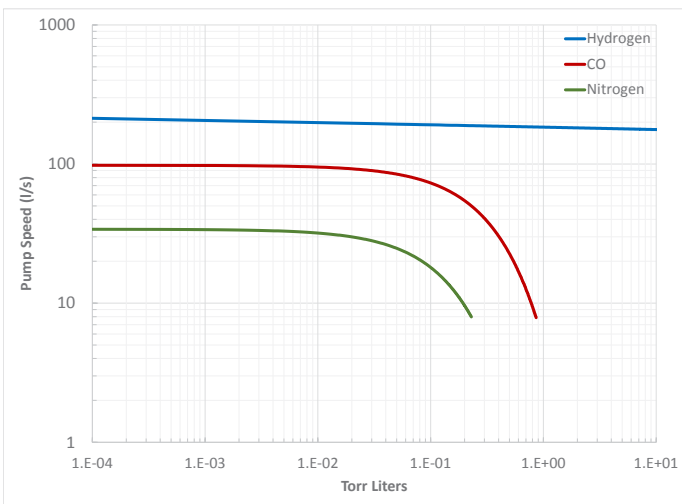
Part Number	Description	Compatible Products
N200	NEG 200, 2.75 CF MS3476A8-33P Compatible	Side/internally mountable on 45S, 75S
N201	NEG 200, Double 2.75 CF Through Hole, MS3476A8-33P Compatible	Top mountable on 5S, 10S, 25S, 45S, 75S
N202	NEG 200, Double 2.75 CF M6 Tapped Flange, MS3476A8-33P Compatible	Top mountable on 5S, 10S, 25S, 45S, 75S
TSP-1-US110-232-N-N*	TSP/NEG Pump Controller	N50, N100, N200, N300, N400
MS-RS3-N200*	Military to N200, Silicone	N200

\*Configured part numbers and pricing are available at [www.gammavacuum.com](http://www.gammavacuum.com). Contact us directly for custom engineered options.

## PERFORMANCE CHARACTERISTICS

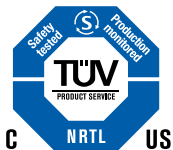
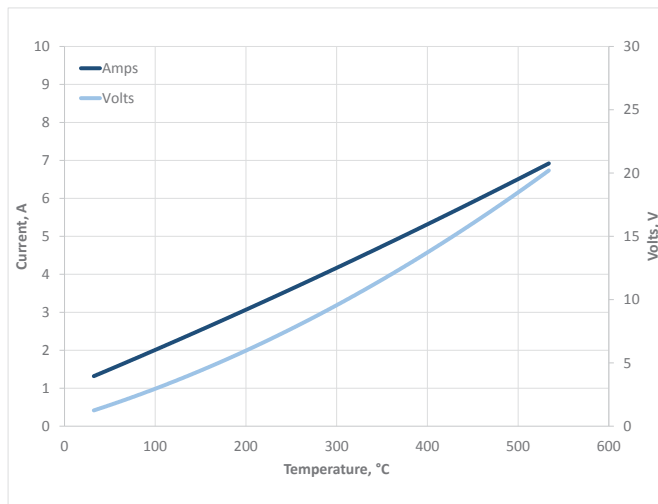
### Pumping Speed vs. Sorbed Quantity

measured in accordance with ASTM F798-97



### Temperature vs. Current/Voltage

applies to N200, N201, N202



## GAMMA VACUUM

Part of the Atlas Copco Group

2915 133rd Street West

Shakopee, MN 55379 | USA

800.237.3603 T | 952.445.4841 P

952.445.7615 F

[gammavacuum.com](http://gammavacuum.com) | [info@gammavacuum.com](mailto:info@gammavacuum.com)