

GAS DOSING VALVE, SERIES 62.7

Fine gas dosing valve for demanding upstream processes.



DN 5

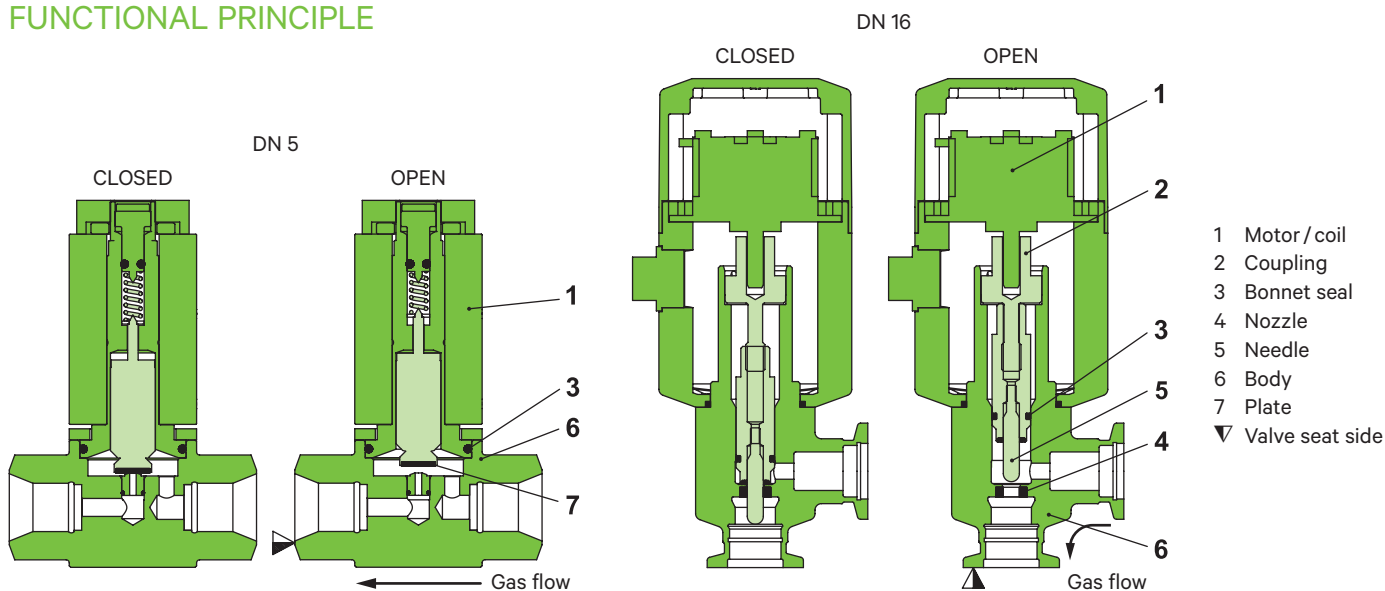
DN 16

Applicable through a large pressure regime
 Accurate and closed loop pressure control
 Excellent reproducibility

MAIN FEATURES

Sizes	DN 5 mm ($\frac{3}{16}$ ") / DN 16 mm ($\frac{5}{8}$ ")
Actuator	DN 5: electromagnetic DN 16: stepper motor
Body material	stainless steel
Feedthrough	shaft feedthrough
Standard flanges	DN 5: specific / DN 16: ISO-KF

FUNCTIONAL PRINCIPLE



TECHNICAL DATA

		DN 5	DN 16
Leak rate ¹⁾	Valve body, valve seat	$< 1 \cdot 10^{-9}$ mbar ls ⁻¹	$< 1 \cdot 10^{-9}$ mbar ls ⁻¹
Pressure range ¹⁾		$< 1 \cdot 10^{-8}$ mbar ls ⁻¹ to 2 bar (abs)	$< 1 \cdot 10^{-8}$ mbar ls ⁻¹ to 2.5 bar (abs)
Differential pressure on the plate		≤ 1.0 bar	≤ 1.1 bar
Temperature ²⁾	Valve body, plate Ambient	- 5 °C – 50 °C	≤ 150 °C 5 °C – 40 °C
Material	Valve body Plate	AISI 316L (1.4404 or 1.4435) AISI 430IL (1.4105IL)	AISI 316L (1.4404 or 1.4435) AISI 316L (1.4404 or 1.4435)
Seal	Plate Dosing sleeve	FPM -	FPM fluoropolymer
Feedthrough		shaft feedthrough	shaft feedthrough
Mounting position		any	any
Controllable conductance	Minimum / maximum	10 / 5000 sccm	$5 \cdot 10^{-6}$ / 1250 mbar ls ⁻¹
Operating time	Closing / opening	< 30 ms / < 30 ms	3 s / 4 s
Power supply		24 V DC / 12 VA	24 V DC / 12 VA
Control		digital with controller analog 0...10 V DC	digital with controller analog 0...10 V DC
Weight		0.096 kg / 0.2 lbs	0.8 kg / 1.8 lbs

¹⁾ Unheated on delivery. ²⁾ Maximum values: depending on operating conditions and sealing materials.

ACCESSORIES

- Flange adapters for DN 5 gas dosing valve
- Controller PM-C to close the valve automatically in case of a power failure:
Ordering number 627PM-16GV-0002
- Interface module 582225 to connect RS232C interface with digital interface of valve
- Cable to connect controller with valve:

Length	Ordering number	Length	Ordering number	Length	Ordering number
3 m	627CV-.9LC-0002	15 m	627CV-.9LK-0002	25 m	627CV-.9LX-AIK2
5 m	627CV-.9LE-0002	20 m	627CV-.9LL-0002	40 m	627CV-.9LX-AIL2
10 m	627CV-.9LJ-0002				

8 for DN 5 Example: 627CV-89LC-0002
9 for DN 16 Example: 627CV-99LC-0002

- Flange connections for installation of the valve: see series 31

ORDERING NUMBERS

	DN 5 (3/16")						DN 16 (5/8")
	10 sccm	50 sccm	100 sccm	500 sccm	1000 sccm	5000 sccm	
62714-XE64	-ABE .	-ABF .	-ABG .	-ABH .	-ABI .	-ABJ .	62724-KE52

Example: 62714-XE64-ABE.

DIMENSIONS

