



VAT Vakuumventile AG
CH-9469 Haag, Schweiz

Product data sheet

Series 217, DN 16 – DN 100 ($\frac{5}{8}$ " – 4")

Ordering No. 21724-.AXX-....

Safety Valve

Advantages

- Fast-closing high vacuum isolation valve for separating the vacuum chamber from the backing pump
- Venting valve for roughing pumps
- Immediate closing action upon power failure
- Opening action only after the intake line has been evacuated



Created by: T. Eugster	Release date: 2013-08-09	1 of 3
Modified by:	Release date:	602419EA



VAT Vakuumventile AG
CH-9469 Haag, Schweiz

Product data sheet

Series 217, DN 16 – DN 100 ($\frac{5}{8}$ " – 4")

Ordering No. 21724-.AXX-....

Ordering Information

Selection Data

Vacuum connection	DN 16 ISO-KF	DN 25 ISO-KF	DN 40 ISO-KF	DN 63 ISO-K	DN 100 ISO-K
-------------------	--------------	--------------	--------------	-------------	--------------

Safety Valve

Solenoid valve					
200 – 240 V AC; 50/60Hz	21724-KAXX-AAL.	21728-KAXX-AAL.	21732-KAXX-AAL.	21736-QAXX-AAL.	21740-QAXX-AAL.
100 – 115 V AC; 50/60Hz	21724-KAXX-AAK.	21728-KAXX-AAK.	21732-KAXX-AAK.	21736-QAXX-AAK.	21740-QAXX-AAK.
24 V DC	21724-KAXX-000.	21728-KAXX-000.	21732-KAXX-000.	21736-QAXX-000.	21740-QAXX-000.

Specifications

Nominal Power	DC	2.5W				
Nominal Power	AC	5 / 3.7 VA (starting / holding)				
Type of protection		IP 65 according to DIN 40 050				
Conductance	l/s	3.8	11	30.5	126	300
Installation position		any				
Leak rate						
Body	mbar l/s	< 1×10 ⁻⁹				
Plate	mbar l/s	< 1×10 ⁻⁵				
Pressure range	mbar / bar min / max	1×10 ⁻⁸ / 1 (abs)				
Required pressure difference up for the safety valves to function properly						
In closing direction		> 150 mbar				
In opening direction		< 150 mbar				
Ambient temperature	°C	5 – 50				
Solenoid coil, ambiance 20°C		< 55°C				
Solenoid coil, ambiance 50°C		< 80°C				
Bakeout	body actuator	< 60 °C < 50 °C				
Materials						
Body, flange		aluminum				
Seals		FKM				
Weight	kg	0.3	0.5	0.9	2.4	5.1

Spare Parts

Seal kit	582733	581528	583594	583772	584850
----------	--------	--------	--------	--------	--------



VAT Vakuumventile AG
CH-9469 Haag, Schweiz

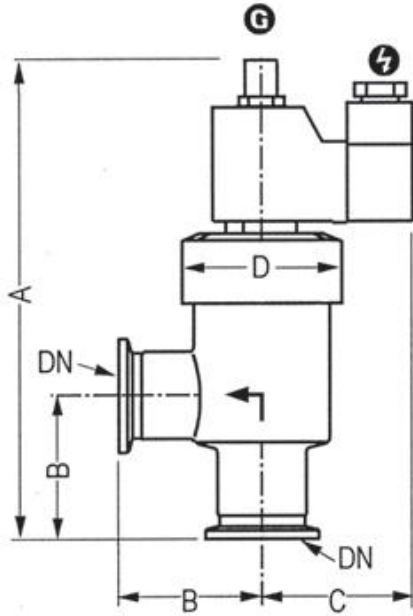
Product data sheet

Series 217, DN 16 – DN 100 ($\frac{5}{8}$ " – 4")

Ordering No. 21724-.AXX-....

Dimensions

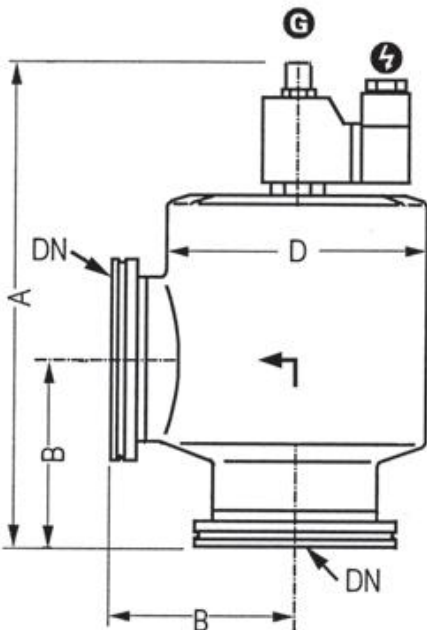
DN 16 – 40 ISO-KF



DN	A	B	C	D	[mm]
DN 16 ISO-KF	139	40	49	44	
DN 25 ISO-KF	162	50	49	56	
DN 40 ISO-KF	178	65	49	82	

Dimensions Vacuum Safety Valves

DN 63/100 ISO-K



DN	A	B	C	[mm]
DN 63 ISO-K	220	88	124	
DN 100 ISO-K	264	108	164	