

STP1003/1003C turbomolecular pump

The Edwards STP1003 and corrosion resistant STP1003C are new turbomolecular pumps designed for use in the most advanced semiconductor applications.

Edwards rotor technology gives class-leading performance for maximum process flexibility. Both pumps have been approved for use by major equipment manufacturers in the semiconductor and magnetic media industries.



Features and benefits

- Advanced rotor technology
 - Maximised process flexibility
 - Oil free
 - Low vibration
 - High reliability
 - Maintenance free
 - Harsh process compatible (C version)
 - Increased life
- Advanced controller design
 - Auto tuning
 - Self diagnostic functions
 - DC motor drive
 - Battery-free operation
- Compact design
 - Small footprint
 - Half rack controller

Technical data

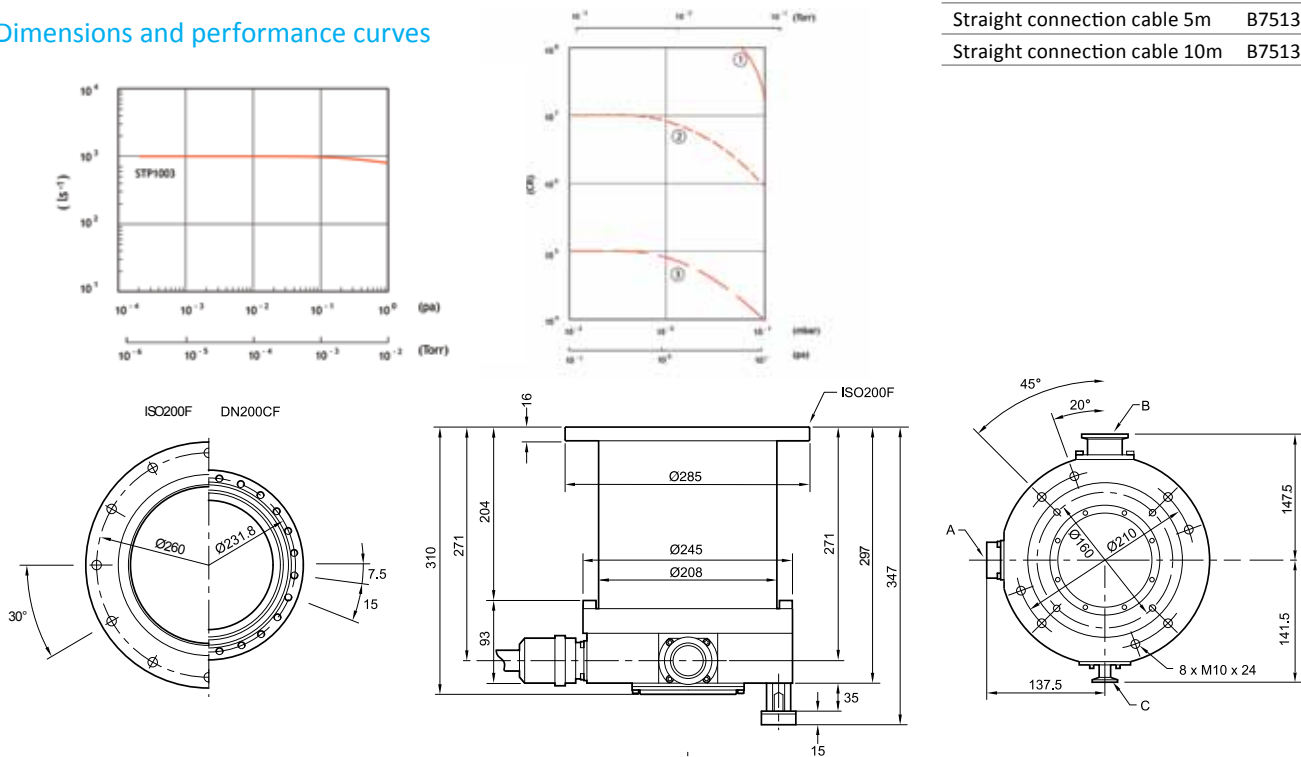
	STP1003	STP1003C	
Inlet flange size	ISO200F/ISO200K/DN200CF/ ISO250F/ISO205K		
Pumping speed N ₂ /H ₂	1000/800		Litres/second
Compression ratio N ₂ /H ₂	>10 ⁹ /10 ⁵		
Ultimate pressure			
ISO inlet flange	10 ⁻⁷ (10 ⁻⁹)	6.5 x 10 ⁻⁶ (5 x 10 ⁻⁸)	Pa (Torr)
CF inlet flange	10 ⁻⁸ (10 ⁻¹⁰)	10 ⁻⁷ (10 ⁻⁹)	Pa (Torr)
Maximum continuous outlet pressure*	13 (0.1)		Pa (Torr)
Maximum Nitrogen throughput**	130		sccm
Rated speed	35000		rpm
Start time	6		minutes
Maximum inlet flange temperature‡	120		°C
Power consumption (continuous)	800		VA
Input voltage	100 - 240		V
Weight, pump/controller	31/9		kg

* water cooled † C version ‡ with cooling

Ordering information

Pump	
Description	Order No.
STP1003C ISO200F inlet	YT39B0130
STP1003 ISO200F inlet	YT390Z001
STP1003C DN200CF inlet	PT39AZ003
SPT1003 DN200CF inlet	YT39B0010
<i>Custom configurations are available for specific OEM applications</i>	
Accessories and spares	
Description	Order No.
SCU-800 control unit	YT49Z2Z00
Water cooling coil	YT170A001
Air cooler 100-120 VAC	YT011A003
Air cooler 200-240 VAC	YT011A005
Vibration isolator ISO200K	B58061000
Power cable 5m	PT49Y0A00
Power cable 10m	PT49Y0A01
Connection cable 3m	B75130050
Straight connection cable 5m	B75130020
Straight connection cable 10m	B75130060

Dimensions and performance curves



Global contacts

EUROPE

UK Crawley +44 1293 528844
 UK (local rate) 08459 212223
 Belgium Brussels +32 2 300 0730
 France Paris +33 1 4121 1256
 Germany Munich 0800 000 1456
 Italy Milan +39 02 48 4471

USA

Niagara (toll free) +1 800 848 9800
BRAZIL
 Sao Paulo +55 11 3952 5000
ISRAEL
 Qiryat-Gat +972 8 681 0633

ASIA PACIFIC

China (toll free) +86 400 111 9618
 India, Pune +91 20 4075 2222
 Japan, Yachiyo +81 47 458 8831
 Korea, Bundang +82 31 716 7070
 Singapore +65 6546 8408
 Taiwan R.O.C. Jhunan Town +886 3758 1000