

# STP-iXA3306 integrated turbomolecular pump

The STP-iXA3306 series magnetically levitated turbomolecular pump provides industry-leading performance and incorporates a small power supply into the onboard control unit – the latest technology of the well-established STP-iXA3305 series.

The height of the pump is equal to the STP-XA2703/XA3203 and is also equal to the height of the STP-iXA3305 series without its power supply (IPS-1200). This fully integrated product offers easy installation and a small footprint as an all-in-one solution for all application tools.



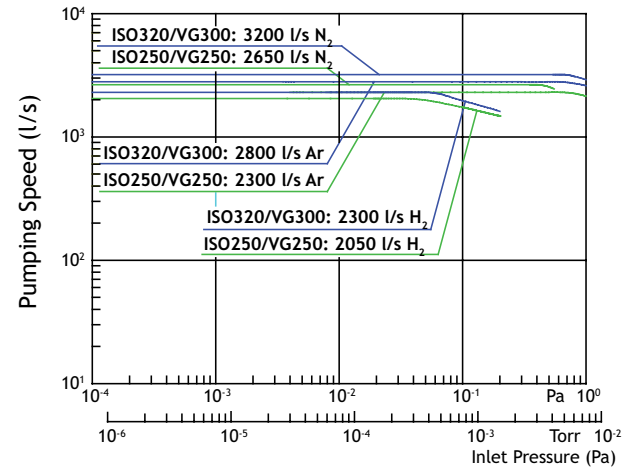
## Features and benefits

- Fully Integrated Onboard Controller
  - Eliminates connection cable between pump and control unit
  - Eliminates installation space and cost required by conventional racked type control unit
  - Second speed function is available
  - Dust and water protection (equivalent to IP54 specification) as standard
  - Improved P-Q performance compared to STP-XA2703/XA3203 on high flow gas
- Compact Design
  - Height of STP-iXA3306 series is equal to existing STP-XA2703/XA3203 and a 25% reduction over STP-iXA3305CP
  - Size compatibility and elimination of the thick interconnecting cable enables easy retrofit from existing pump models
- Maintenance Function
  - Same maintenance call functions are available as the SCU-1400/1500/1600 controller models. Process Recorder Function (records certain pump parameters at designated interval) is newly added, which supports determination of the optimum maintenance interval timing
- Options
  - TMS unit is available for processes generating by-products
- Communication
  - I/O Remote, RS232C, RS485, STP-Link are standard ports
  - Profibus, DeviceNet and Lonworks can be selected as an option
- Compliant Standards
  - UL marked, CE marked, SEMI-S2 compliant with RoHS directive

# Technical data

Inlet flange size	ISO250F/ VG250/ ICF305	ISO320F/ VG300/ ICF356	
Backing port size	KF40		
Pumping speed N <sub>2</sub>	2650	3200	Litres/second
Pumping speed Ar	2300	2800	Litres/second
Compression ratio N <sub>2</sub> /H <sub>2</sub>	>10 <sup>8</sup> / 2 x 10 <sup>3</sup>		
Ultimate pressure	10 <sup>-7</sup> (10 <sup>-9</sup> )		Pa (Torr)
Allowable backing pressure	266 (2)		Pa (Torr)
Max gas flow N <sub>2</sub> *1 (water cooled only)	4000 (6.76)		sccm (Pa m <sup>3</sup> /sec)
Max gas flow Ar *1 (water cooled only)	2100 (3.55)		sccm (Pa m <sup>3</sup> /sec)
Rated speed	27700		rpm
Starting time	<10		minutes
Mounting position	Any orientation		
Input voltage	200-240		V
Max input power without TMS	1500		VA
Max input power with TMS	1800		VA
Weight			
Weight	80	83	kg

## Pumping speed

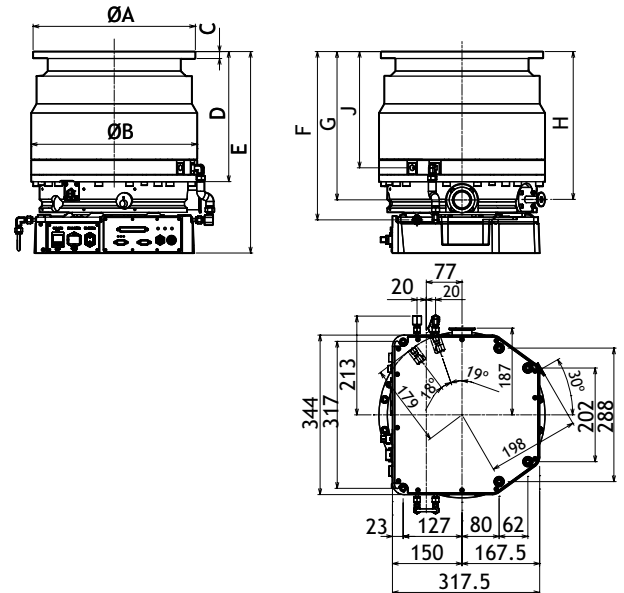


STP-iXA3306 Series Pumping Speed  
(without Inlet screen)

\*1: The maximum gas flow is applicable under conditions that N<sub>2</sub> or Ar gas is pumped continuously with water cooling temperature under 25° C and the backing pump (10,000 l/min size) is used. It is changed on condition.

## Dimensions

Inlet port flange	VG250	ISO250F	VG300	ISO320F	ICF305	ICF356
ØA	350	335	400	425	305	356
ØB	358	358	358	358	358	358
C	15	15	18	20	28	28.5
D	281	281	242	242	286	281
E	435	435	396	396	440	435
F	363	363	325	325	368	364
G	320	320	282	282	325	321
H	319	319	281	281	324	320
J	251	251	212	212	256	251



## Global contacts

### EUROPE

UK Crawley +44 1293 528844  
 UK (local rate) 08459 212223  
 Belgium Brussels +32 2 300 0730  
 France Paris +33 1 4121 1256  
 Germany Munich 0800 000 1456  
 Italy Milan +39 02 48 4471

### USA

Niagara (toll free) +1 800 848 9800  
 BRAZIL  
 Sao Paulo +55 11 3952 5000  
 ISRAEL  
 Qiryat-Gat +972 8 681 0633

### ASIA PACIFIC

China (toll free) +86 400 111 9618  
 India, Pune +91 20 4075 2222  
 Japan, Yachiyo +81 47 458 8831  
 Korea, Bundang +82 31 716 7070  
 Singapore +65 6546 8408  
 Taiwan R.O.C. Jhunan Town +886 3758 1000