

STP-XA2703C/3203C turbomolecular pump

The STP-XA2703C and STP-XA3203C turbo pumps offer high performance in the process range of high vacuum to 2300 sccm process flow with enhanced throughput for all gases.

These pumps are based on a new platform design offering features to improve thermal management, which enhances performance on harsh processes, increases the maximum process flow capability and reduces the effects of corrosion and deposition. The outstanding performance is suited to both light and harsh applications, such as semiconductor etch, implant, lithography and LCD processes.



Features and benefits

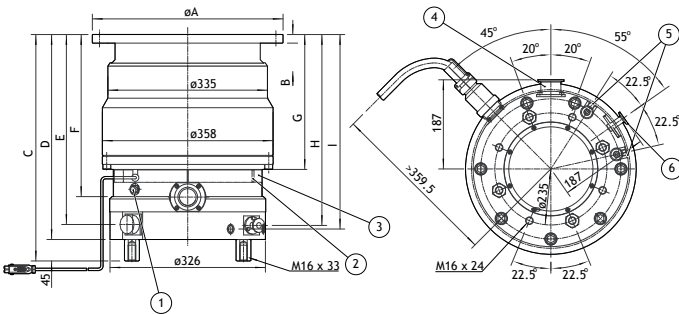
- Advanced rotor design
 - Increased H₂, N₂ and Ar performance
 - Improved performance in the process pressure range of high vacuum to 2300 sccm
 - Maintenance free
- 5 axis magnetic suspension system
 - Zero contamination
 - Low vibration
- Innovative torque management
 - Patented torque reduction mechanism
- Optimised temperature management
 - High temperature TMS capability
 - Low deposition
 - Built-in cooling mechanism
 - Higher gas throughput heated and unheated
 - Optimised life
 - Harsh process compatible
- Certifications
 - SEMI® compliant, CE marked and UL listed

Technical data

Specifications	STP-XA2703C	STP-XA3203C	
Inlet flange size	ISO250F/VG250	ISO320F/VG300	
Pumping speed N ₂ /H ₂	2650/2050	3200/2300	litres/second
Compression ratio N ₂ /H ₂	>10 ⁸ /6 x 10 ³	>10 ⁸ /6 x 10 ³	
Ultimate pressure	10 ⁻⁷ oder	10 ⁻⁷ oder	Pa
Maximum allowable backing pressure	266	266	Pa
Maximum allowable gas flow, N ₂ *	3000 (5.0)	3000 (5.0)	scm (Pa m ³ /s)
Maximum allowable gas flow, AR *	2000 (3.4)	2000 (3.4)	scm (Pa m ³ /s)
Rated speed	27500	27500	rpm
Starting time	8	8	minutes
Mounting position	Any orientation		
Water cooling			
Flow	3	3	Litres/min
Temperature	5-25 (41-77)	5-25 (41-77)	°C (°F)
Pressure	0.3	0.3	MPa
Recommended purge gas flow	50 (8.4 x 10 ⁻²)	50 (8.4 x 10 ⁻²)	scm (Pa m ³ /s)
Input voltage	200-240 +/- 10%	200-240 +/- 10%	AC V
Typical power consumption	1.5	1.5	KVA
Weight, pump/controller	75/12 (165/26.4)	80/12 (176/26.4)	kg (lb)

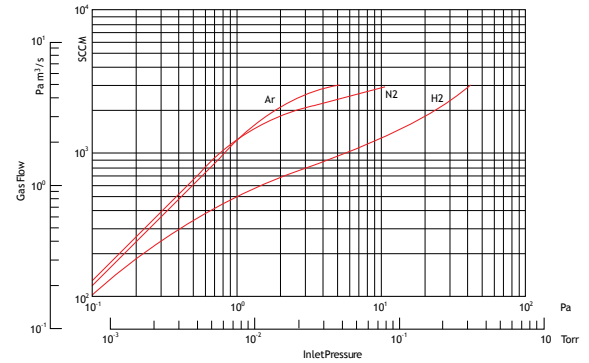
* water cooled only, 10,000 l/min backing pump

Dimensions

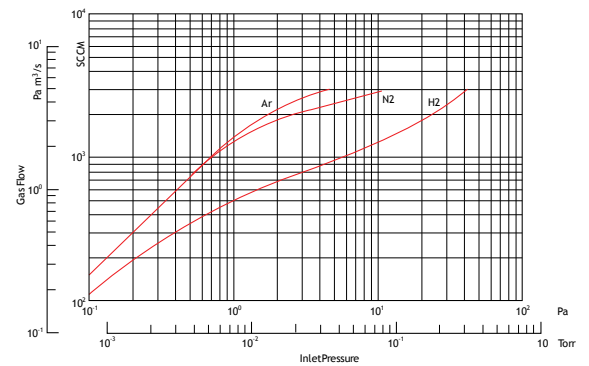


- 1 Temperature Management System (TMS) Sensor
 - 2 TMS heater*
 - 3 TMS heater cover*
 - 4 Outlet port KF40
 - 5 Cooling water port Rc 1/4 (ISO)
 - 6 Purge port KF10
- * TMS spec only

Performance curves



P-Q characteristics of STP-XA2703 series
Backing pump: 17000 l/min / with Inlet Screen



P-Q characteristics of STP-XA3203 series
Backing pump: 17000 l/min / with Inlet Screen

Inlet flange port	STP-XA2703			STP-XA3203		
	VG250	ISO250F	ICF305 (DN250 CF)	VG300	ISO320F	ICF356 (DN320 CF)
ØA	350 (13.8)	335 (13.2)	305 (12.0)	400 (15.8)	425 (16.7)	356 (14.0)
B	15 (0.6)	15 (0.6)	28 (1.1)	18 (0.7)	20 (0.8)	28.5 (1.1)
C	454 (17.9)	454 (17.9)	459 (18.1)	415.5 (16.4)	415.5 (16.4)	454.5 (17.9)
D	409 (16.1)	409 (16.1)	414 (16.3)	370.5 (14.6)	370.5 (14.6)	409.5 (16.1)
E	377.5 (14.9)	377.5 (14.9)	383 (15.1)	339 (13.3)	339 (13.3)	378.5 (14.9)
F	319 (12.6)	319 (12.6)	325 (12.8)	280.5 (11.0)	280.5 (11.0)	320.5 (12.6)
G	262 (10.3)	262 (10.3)	267 (10.5)	223.5 (8.8)	223.5 (8.8)	262.5 (10.3)
H	379.5 (14.9)	379.5 (14.9)	385 (15.2)	341 (13.4)	341 (13.4)	380.5 (15.0)
I	387 (15.2)	387 (15.2)	393 (15.5)	348.5 (13.7)	348.5 (13.7)	388 (15.3)

Global contacts

EUROPE

UK Crawley +44 1293 528844
 UK (local rate) 08459 212223
 Belgium Brussels +32 2 300 0730
 France Paris +33 1 4121 1256
 Germany Munich 0800 000 1456
 Italy Milan +39 02 48 4471

USA

Niagara (toll free) +1 800 848 9800
 BRAZIL
 Sao Paulo +55 11 3952 5000
 ISRAEL
 Qiryat-Gat +972 8 681 0633

ASIA PACIFIC

China (toll free) +86 400 111 9618
 India, Pune +91 20 4075 2222
 Japan, Yachiyo +81 47 458 8831
 Korea, Bundang +82 31 716 7070
 Singapore +65 6546 8408
 Taiwan R.O.C. Jhunan Town +886 3758 1000