

STPA1603C turbomolecular pump

The small and powerful STPA1603C turbomolecular pump has been designed using Edwards advanced rotor technology.

This provides high throughput with maximum reliability and class leading performance demanded by the latest generation of semiconductor processes. Its half rack controller and battery-free DC drive operation provides additional space saving to its compact design.



Features and benefits

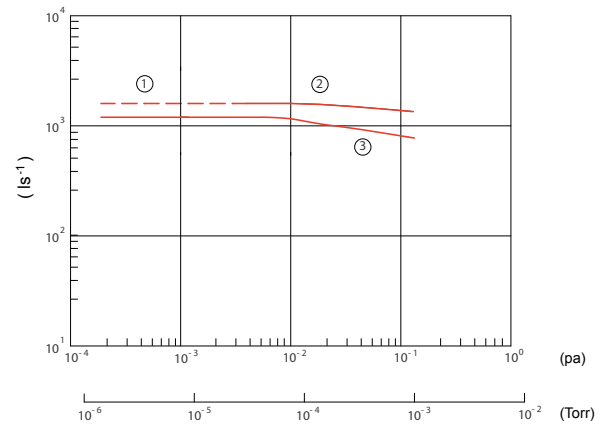
- Advanced rotor design
 - Increased performance
 - Higher gas throughput
 - High reliability
 - Maintenance free
 - Harsh process compatible
- 5 axis magnetic suspension system
 - Zero contamination
 - Low vibration
- Corrosion resistant
 - Harsh process compatible
 - Increased life
- Compact construction
 - Small footprint
 - Half rack controller
- Advanced controller design
 - Auto tuning
 - Self diagnostic functions
 - DC motor drive
 - Battery-free operation

Technical data

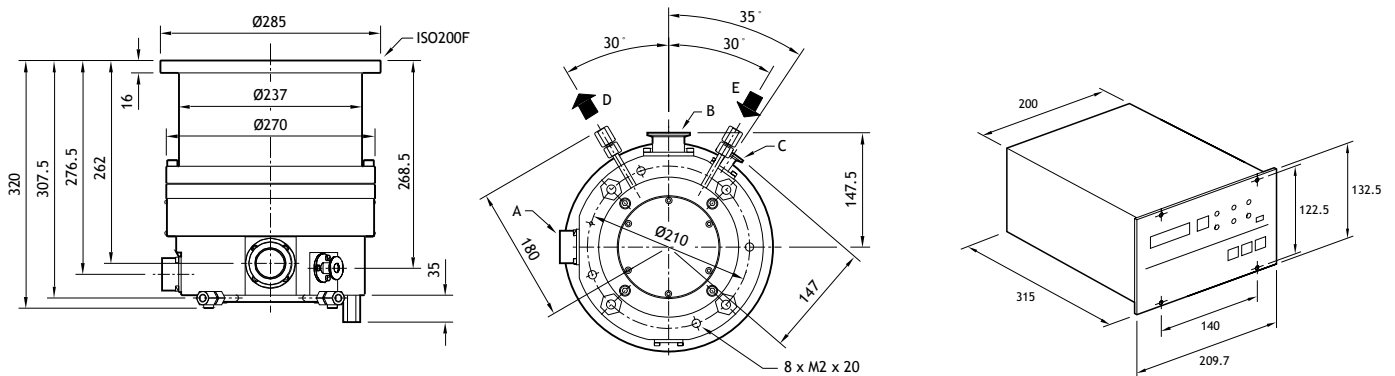
Inlet flange size	ISO200F	
Pumping speed N ₂ /H ₂	1600/1200	Litres/second
Compression ratio N ₂ /H ₂	>10 ⁸ / 7 x 10 ³	
Ultimate pressure	10 ⁻⁷ (10 ⁻⁹)	Pa (Torr)
Maximum allowable backing pressure	266 (2.0)	Pa (Torr)
Maximum allowable gas flow N ₂	2500 (4.23)	sccm (Pa m ³ /sec)
Rated speed	36000	rpm
Starting time	7	minutes
Maximum inlet flange temperature [‡]	120	°C
Input voltage ± 10%	200-240	AC V
Typical power consumption	1500	VA
Weight, pump/controller	35/9	kg

[‡] with cooling

Performance curves



Dimensions



Ordering information

Pump	
Description	Order No.
STPA1603C ISO200F inlet	B75100010
STPA1603C DN200CF inlet	B75100100
STPA1603CV TMS ISO200F inlet	YT4616004
STPA1603CV TMS DN200CF inlet	YT4616005

Custom configurations are available for specific OEM applications

Accessories and spares	
Description	Order No.
SCU-800 control unit	YT4922Z00
Power cable 5m	PT49Y0A00
Power cable 10m	PT49Y0A01
Straight connection cable 5m	B75130020
Straight connection cable 10m	B75130060

- A Electrical Connector
- B Output Port
- C Purge Port
- D Cooling water out
- E Cooling water in
- F Temp sensor connector

Global contacts

EUROPE
 UK Crawley +44 1293 528844
 UK (local rate) 08459 212223
 Belgium Brussels +32 2 300 0730
 France Paris +33 1 4121 1256
 Germany Munich 0800 000 1456
 Italy Milan +39 02 48 4471

USA
 Niagara (toll free) +1 800 848 9800
BRAZIL
 Sao Paulo +55 11 3952 5000
ISRAEL
 Qiryat-Gat +972 8 681 0633

ASIA PACIFIC
 China (toll free) +86 400 111 9618
 India, Pune +91 20 4075 2222
 Japan, Yachiyo +81 47 458 8831
 Korea, Bundang +82 31 716 7070
 Singapore +65 6546 8408
 Taiwan R.O.C. Jhunan Town +886 3758 1000