

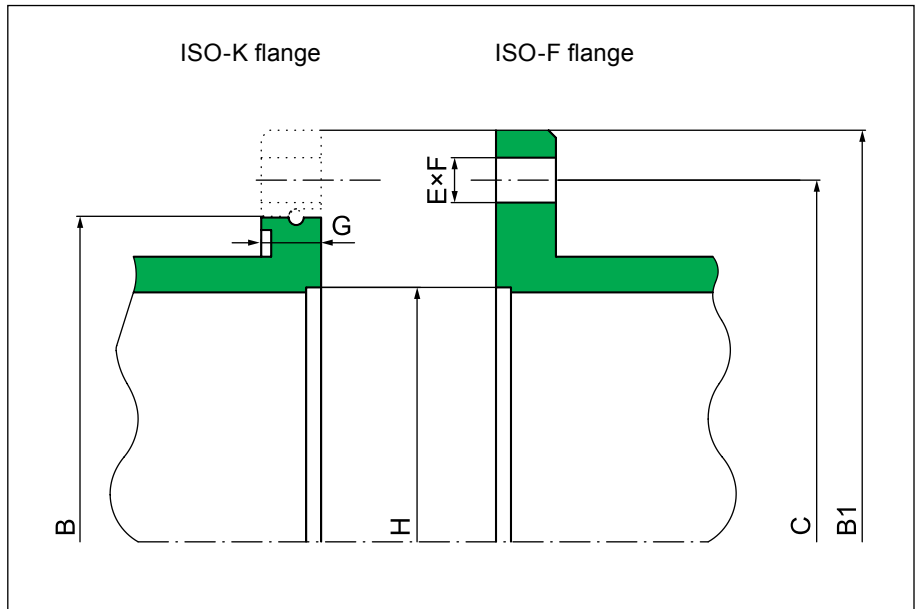
- Clamps
- Claws
- Screws
- Centering rings
- Seals
- Flanges
- Ports
- Elbows
- T-Pieces
- Reducing pieces
- Cross pieces
- Bellows



Seal	FKM (Viton®)
Suitable flange material	A, E
Temperature ¹⁾	≤200 °C
Leak rate for Helium (mbar ls ⁻¹)	< 1 · 10 ⁻⁹
Sealing force (N per cm sealing line)	10–50
Multiple use of seal	yes

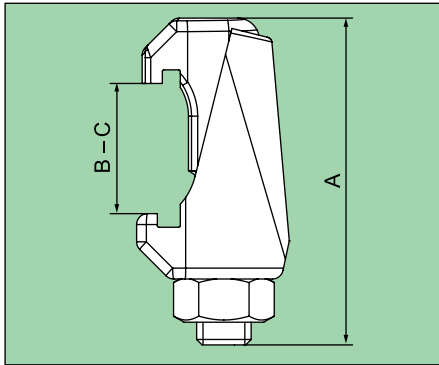
A: aluminum
E: stainless steel

¹⁾ Maximum values: depending on operating conditions and sealing materials



DN	mm inch	63 2½	80 3	100 4	160 6	200 8	250 10	320 12	400 16	500 20	630 25	800 32	1000 60
B	mm inch	95 3.74	110 4.33	130 5.12	180 7.09	240 9.45	290 11.42	370 14.57	450 17.72	550 21.65	690 27.17	–	–
B1	mm inch	130 5.12	145 5.71	165 6.50	225 8.86	285 11.22	335 13.19	425 16.73	510 20.08	610 24.02	750 29.53	920 36.22	1120 44.09
C	mm inch	110 4.33	125 4.92	145 5.71	200 7.87	260 10.24	310 12.20	395 15.55	480 18.90	580 22.83	720 28.35	890 35.04	1090 42.91
E×F	mm inch	4×9 4×0.35	8×9 8×0.35	8×9 8×0.35	8×11 8×0.43	12×11 12×0.43	12×11 12×0.43	12×14 12×0.55	16×14 16×0.55	16×14 16×0.55	20×14 20×0.55	24×14 24×0.55	32×14 32×0.55
G	mm inch	12 0.47	12 0.47	12 0.47	12 0.47	12 0.47	12 0.47	17 0.67	17 0.67	17 0.67	22 0.87	–	–
H	mm inch	70 2.76	83 3.27	102 4.02	153 6.02	213 8.39	261 10.28	318 12.52	400 15.75	501 19.72	651 25.63	800 31.50	1000 39.37

Technical data and ordering information

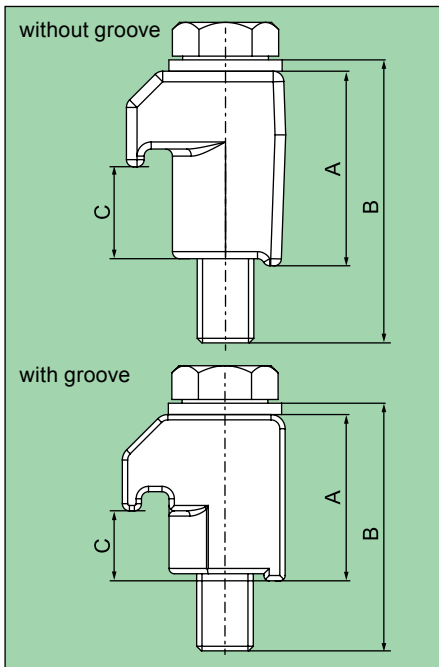


Clamp, ISO-K

DN		A		B		C		Ordering numbers
mm	inch	mm	inch	mm	inch	mm	inch	
63-250	2½-10	60	2.36	17	0.67	27	1.06	32036-QNKS-0001 ¹⁾
320-500	12-20	78	3.07	27	1.06	39	1.54	32050-QNKS-0001 ¹⁾
630	25	88	3.66	31	1.22	49	1.93	32056-QNKS-0001 ¹⁾
63-250	2½-10	61	2.40	18	0.71	28	1.10	32036-QEKS-0001 ²⁾
320-630	12-25	82	3.23	29	1.14	47	1.85	32050-QEKS-0001 ²⁾

¹⁾ Steel, zinc-plated 1045

²⁾ Stainless steel AISI 316 (1.4401)



Claw with screw and washer, ISO-K

DN		A		B		C		Ordering numbers
mm	inch	mm	inch	mm	inch	mm	inch	
63-100	2½-4	27.5	1.08	40	1.57	14	0.55	32040-QAPR-0001 ¹⁾
160-250	6-10	28.5	1.12	45	1.77	14	0.55	32044-QAPR-0001 ¹⁾
320-500	12-20	36.5	1.44	55	2.17	20.3	0.80	32050-QAPR-0001 ¹⁾
63-100	2½-4	23.5	0.93	35	1.38	10	0.39	320XX-QAPR-0001 ²⁾

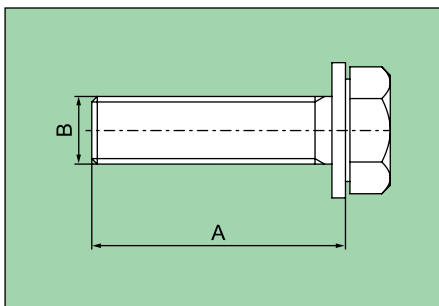
¹⁾ Clamp flange, base plate without groove

²⁾ Clamp flange, base plate with groove

Claw: aluminum

Screw: steel 8.8, zinc-plated

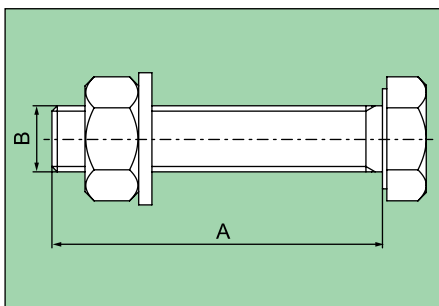
mm	inch	screw	pieces per flange
63	2½	M8 × 40	4
80-100	3-4	M8 × 40	8
160	6	M10 × 45	8
200-250	8-10	M10 × 45	12
320	12	M12 × 55	12
400-500	16-20	M12 × 55	16



Screw with washer, ISO-F

DN		A		B	pieces per flange	Ordering numbers
mm	inch	mm	inch	thread		
63	2½	30	1.18	M8	4	32036-QNSU-0001
80-100	3-4	30	1.18	M8	8	32036-QNSU-0001
160	6	35	1.38	M10	8	32044-QNSU-0001
200-250	8-10	35	1.38	M10	12	32044-QNSU-0001
320	12	45	1.77	M12	12	32050-QNSU-0001

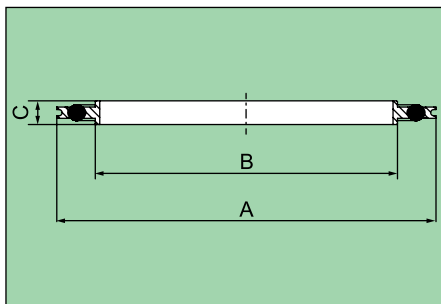
Steel, zinc-plated



Screw with washer and nut, ISO-F

DN		A		B	pieces per flange	Ordering numbers
mm	inch	mm	inch	thread		
63	2½	40	1.57	M8	4	32036-QNSS-0001
80-100	3-4	40	1.57	M8	8	32036-QNSS-0001
160	6	50	1.97	M10	8	32044-QNSS-0001
200-250	8-10	50	1.97	M10	12	32044-QNSS-0001
320	12	60	2.36	M12	12	32050-QNSS-0001

Steel, zinc-plated

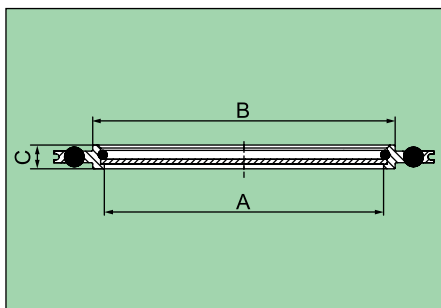


Centering ring, ISO-K / ISO-F

DN		A		B		C		Ordering numbers
mm	inch	mm	inch	mm	inch	mm	inch	
63	2 1/2	96	3.78	70	2.76	8	0.31	32036-QAZV-0001 ¹⁾
80	3	109	4.29	83	3.27	8	0.31	32038-QAZV-0001 ¹⁾
100	4	128	5.04	102	4.02	8	0.31	32040-QAZV-0001 ¹⁾
160	6	179	7.05	153	6.02	8	0.31	32044-QAZV-0001 ¹⁾
200	8	239	9.41	213	8.39	8	0.31	32046-QAZV-0001 ¹⁾
250	10	287	11.30	261	10.28	8	0.31	32048-QAZV-0001 ¹⁾
320	12	358	14.09	318	12.52	14	0.55	32050-QAZV-0001 ¹⁾
400	16	440	17.32	400	15.75	14	0.55	32052-QAZV-0001 ¹⁾
500	20	541	21.30	501	19.72	14	0.55	32054-QAZV-0001 ¹⁾
630	25	691	27.20	651	25.63	14	0.55	32056-QAZV-0001 ¹⁾
800	32	840	33.07	800	31.50	14	0.55	32058-QAZV-0001 ¹⁾
1000	60	1040	40.94	1000	39.37	14	0.55	32060-QAZV-0001 ¹⁾
63	2 1/2	96	3.78	70	2.76	8	0.31	32036-QEZV-0001 ²⁾
80	3	109	4.29	83	3.27	8	0.31	32038-QEZV-0001 ²⁾
100	4	128	5.04	102	4.02	8	0.31	32040-QEZV-0001 ²⁾
160	6	179	7.05	153	6.02	8	0.31	32044-QEZV-0001 ²⁾
200	8	239	9.41	213	8.39	8	0.31	32046-QEZV-0001 ²⁾
250	10	287	11.30	261	10.28	8	0.31	32048-QEZV-0001 ²⁾

¹⁾ Inner and outer ring: aluminum EN AW-6082 (3.2315)
Seal: elastomer FKM (Viton®)

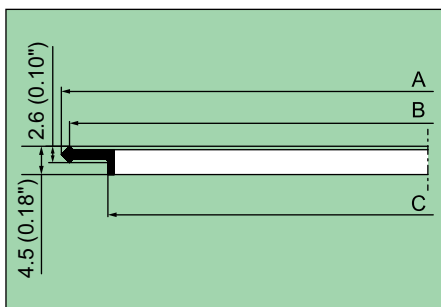
²⁾ Inner ring: stainless steel AISI 304 (1.4301)
Outer ring: aluminum EN AW-6082 (3.2315)
Seal: elastomer FKM (Viton®)



Centering ring with fine filter, ISO-K / ISO-F

DN		A		B		C		Ordering numbers
mm	inch	mm	inch	mm	inch	mm	inch	
63	2 1/2	62	2.44	69.8	2.75	8	0.31	32036-QEZG-0001
100	4	94	3.70	101.8	4.01	8	0.31	32040-QEZG-0001

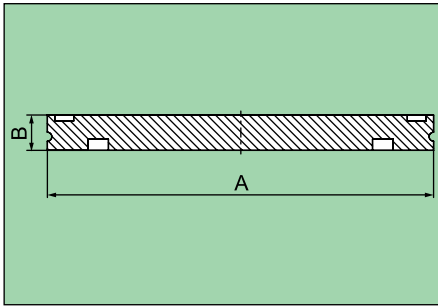
Inner ring: stainless steel AISI 304 (1.4301)
Spring ring: stainless steel AISI 304 (1.4301)
Seal: elastomer FKM (Viton®)
Filter: stainless steel AISI 316L (1.4435), pore size: 0.004 mm
Degree of separation: 0.001 mm to 98%



Aluminum seal, ISO-K / ISO-F

DN		A		B		C		Ordering numbers
mm	inch	mm	inch	mm	inch	mm	inch	
63	2 1/2	85.6	3.37	83	3.27	69.8	2.75	32036-QADK-0001
100	4	116.6	4.59	114	4.49	101.8	4.01	32040-QADK-0001
160	6	166.6	6.56	164	6.46	152.8	6.02	32044-QADK-0001
250	10	276.6	10.89	274	10.79	260.8	10.27	32048-QADK-0001

Aluminum EN AW-6082 (3.2315), annealed



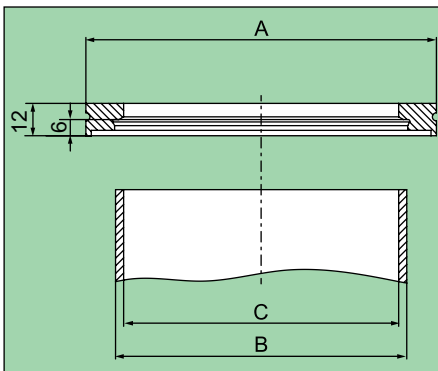
Blank-off flange, ISO-K

DN		A		B				Ordering numbers
mm	inch	mm	inch	mm	inch			
63	2 ½	95	3.74	12	0.47			32036-QAFB-0001 ¹⁾
100	4	130	5.12	12	0.47			32040-QAFB-0001 ¹⁾
160	6	180	7.09	12	0.47			32044-QAFB-0001 ¹⁾
200	8	240	9.45	12	0.47			32046-QAFB-0001 ¹⁾
250	10	290	11.42	12	0.47			32048-QAFB-0001 ¹⁾
320	12	370	14.57	17	0.67			32050-QAFB-0001 ¹⁾
63	2 ½	95	3.74	12	0.47			32036-QNFB-0001 ²⁾
100	4	130	5.12	12	0.47			32040-QNFB-0001 ²⁾
160	6	180	7.09	12	0.47			32044-QNFB-0001 ²⁾
250	10	290	11.42	12	0.47			32048-QNFB-0001 ²⁾
63	2 ½	95	3.74	12	0.47			32036-QEFB-0001 ³⁾
80	3	110	4.33	12	0.47			32038-QEFB-0001 ³⁾
100	4	130	5.12	12	0.47			32040-QEFB-0001 ³⁾
160	6	180	7.09	12	0.47			32044-QEFB-0001 ³⁾
200	8	240	9.45	12	0.47			32046-QEFB-0001 ³⁾
250	10	290	11.42	12	0.47			32048-QEFB-0001 ³⁾
320	12	370	14.57	17	0.67			32050-QEFB-0001 ³⁾
400	16	450	17.72	17	0.67			32052-QEFB-0001 ³⁾
500	20	550	21.65	17	0.67			32054-QEFB-0001 ³⁾
630	25	690	27.17	22	0.87			32056-QEFB-0001 ³⁾

¹⁾ Aluminum EN AW-6082 (3.2315)

²⁾ Steel, nickel-plated A570

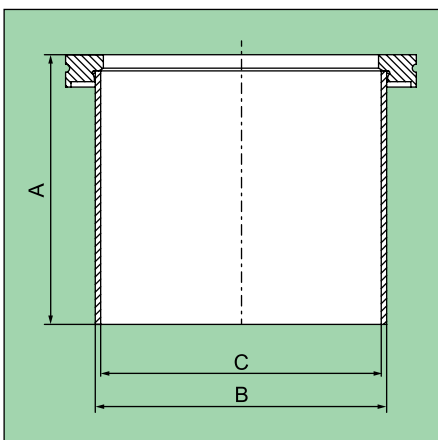
³⁾ Stainless steel AISI 304 (1.4301)



Weld neck flange, ISO-K

DN		A		B		C		Ordering numbers
mm	inch	mm	inch	mm	inch	mm	inch	
63	2 ½	95	3.74	76.1	3.00	71.5	2.81	32036-QEFF-0001
80	3	110	4.33	88.9	3.50	84.9	3.34	32038-QEFF-0001
100	4	130	5.12	108	4.25	102	4.02	32040-QEFF-0001
160	6	180	7.09	159	6.26	155	6.10	32044-QEFF-0001
200	8	240	9.45	219.1	8.63	213.1	8.39	32046-QEFF-0001
250	10	290	11.42	267	10.51	261	10.28	32048-QEFF-0001
320	12	370	14.57	324	12.76	318	12.52	32050-QEFF-0001

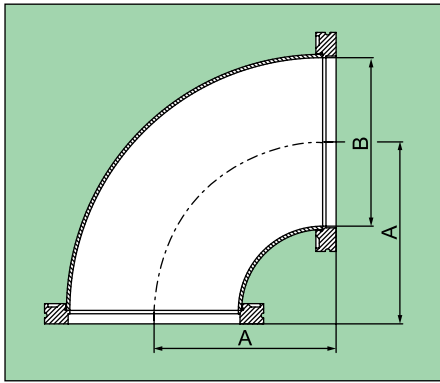
Stainless steel AISI 304 (1.4301)



Weld neck flange, ISO-K

DN		A		B		C		Ordering numbers
mm	inch	mm	inch	mm	inch	mm	inch	
63	2 ½	100	3.94	76.1	3.00	71.5	2.81	32036-QESK-0001
100	4	100	3.94	108	4.25	104	4.09	32040-QESK-0001
160	6	100	3.94	159	6.26	155	6.10	32044-QESK-0001
200	8	100	3.94	219.1	8.63	213.7	8.41	32046-QESK-0001
250	10	100	3.94	267	10.51	261	10.28	32048-QESK-0001
320	12	100	3.94	324	12.76	318	12.52	32050-QESK-0001
400	16	100	3.94	406	15.98	400	15.75	32052-QESK-0001
500	20	100	3.94	508	20.00	500	19.69	32054-QESK-0001
630	25	100	3.94	660	25.98	650	25.59	32056-QESK-0001

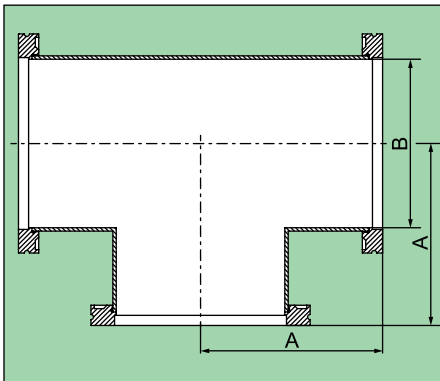
Stainless steel AISI 304 (1.4301)



Elbow 90°, ISO-K

DN		A		B		Ordering numbers
mm	inch	mm	inch	mm	inch	
63	2 ½	88	3.46	66	2.60	32036-QEKR-0001
100	4	108	4.25	100	3.94	32040-QEKR-0001
160	6	138	5.43	150	5.91	32044-QEKR-0001
200	8	178	7.01	213	8.39	32046-QEKR-0001
250	10	208	8.19	250	9.84	32048-QEKR-0001
320	12	250	9.84	318	12.52	32050-QEKR-0001

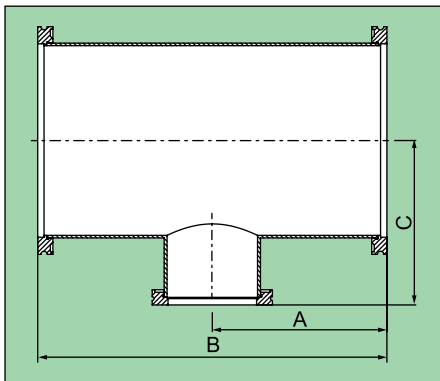
Stainless steel AISI 304 (1.4301)



T-Piece, ISO-K

DN		A		B		Ordering numbers
mm	inch	mm	inch	mm	inch	
63	2 ½	88	3.46	66	2.60	32036-QETS-0001
100	4	108	4.25	100	3.94	32040-QETS-0001
160	6	138	5.43	150	5.91	32044-QETS-0001
200	8	178	7.01	213	8.39	32046-QETS-0001
250	10	208	8.19	250	9.84	32048-QETS-0001
320	12	250	9.84	318	12.52	32050-QETS-0001

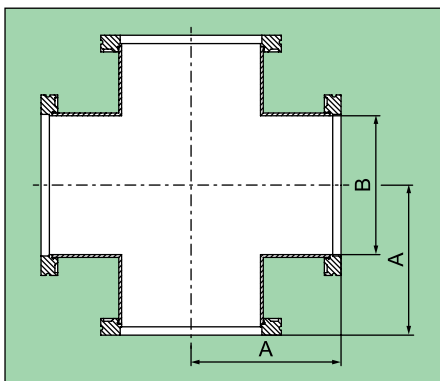
Stainless steel AISI 304 (1.4301)



Reducing T-piece, ISO-K

DN		A		B		C		Ordering numbers
mm	inch	mm	inch	mm	inch	mm	inch	
160/63	6/2 ½	138	5.43	276	10.87	130	5.12	32044-QETV-ABU1
160/100	6/4	138	5.43	276	10.87	131	5.16	32044-QETV-ACS1
250/200	10/8	190	7.48	380	14.96	208	8.19	32048-QETV-ACT1

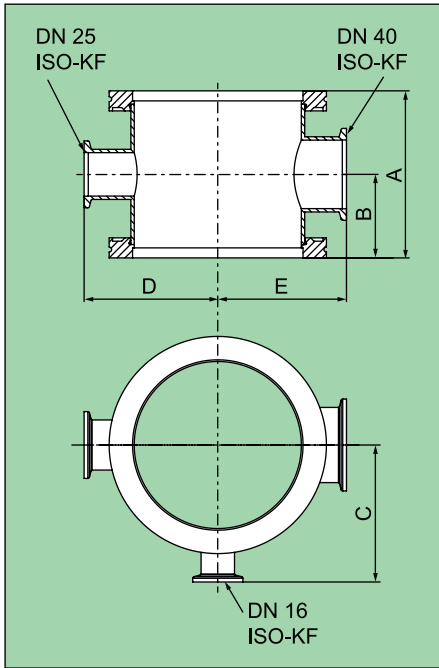
Stainless steel AISI 304 (1.4301)



Cross, ISO-K

DN		A		B		Ordering numbers
mm	inch	mm	inch	mm	inch	
63	2 ½	88	3.46	66	2.60	32036-QEKX-0001
100	4	108	4.25	100	3.94	32040-QEKX-0001
160	6	138	5.43	150	5.91	32044-QEKX-0001
200	8	178	7.01	213	8.39	32046-QEKX-0001
250	10	208	8.19	250	9.84	32048-QEKX-0001

Stainless steel AISI 304 (1.4301)

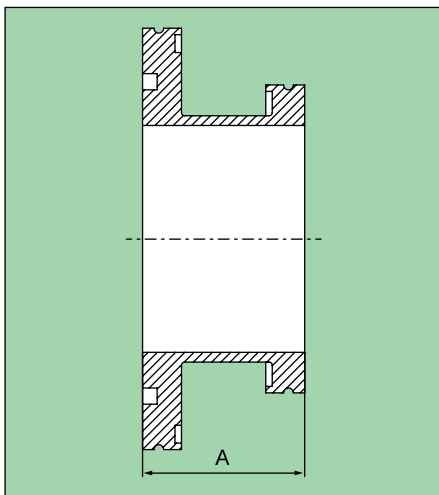


Reducing cross, ISO-K

DN		A		B		C		D		E		Ordering numbers
mm	inch	mm	inch	mm	inch	mm	inch	mm	inch	mm	inch	
63	2½	88	3.46	44	1.73	66	2.60	64	2.52	59	2.32	32036-QEKZ-0001
100	4	100	3.94	50	1.97	82	3.23	80	3.15	77	3.03	32040-QEKZ-0001
160	6	100	3.94	50	1.97	107	4.21	107	4.21	105	4.13	32044-QEKZ-0001

Stainless steel AISI 304 (1.4301)

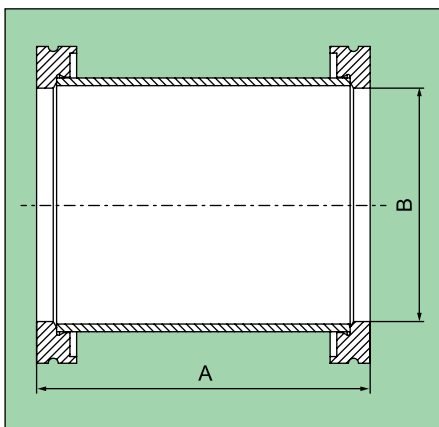
- 1 × DN 16 ISO-KF
- 1 × DN 25 ISO-KF
- 1 × DN 40 ISO-KF



Reducing piece, ISO-K

DN		A			Ordering numbers
mm	inch	mm	inch		
80/ 63	3/2½	50	1.97		32038-QEUP-ABU1
100/ 63	4/2½	50	1.97		32040-QEUP-ABU1
160/100	6/4	50	1.97		32044-QEUP-ACS1
200/160	8/6	50	1.97		32046-QEUP-ACU1
250/160	10/6	50	1.97		32048-QEUP-ACU1
250/200	10/8	50	1.97		32048-QEUP-ACT1

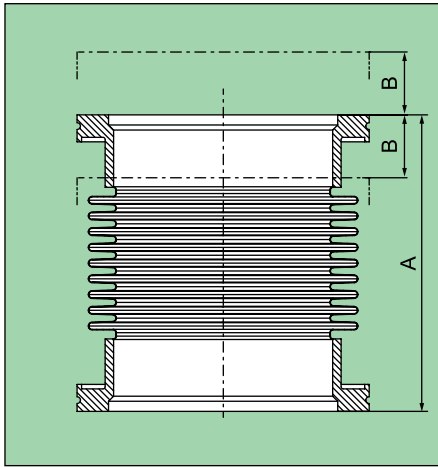
Stainless steel AISI 303 (1.4305)



Intermediate piece, ISO-K

DN		A		B		Ordering numbers
mm	inch	mm	inch	mm	inch	
63	2½	100	3.94	70	2.76	32036-QEZZ-0001

Stainless steel AISI 304 (1.4301)

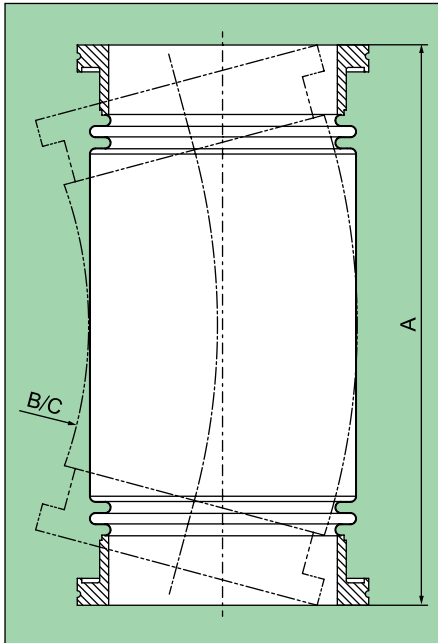


Spring bellows, short, ISO-K

DN		A		B		C		Ordering numbers
mm	inch	mm	inch	mm	inch			
63	2 1/2	132	5.20	20	0.79	30°		32036-QEFK-0001
100	4	132	5.20	28	1.10	30°		32040-QEFK-0001
160	6	150	5.91	22	0.87	14°		32044-QEFK-0001
200	8	150	5.91	20	0.79	12°		32046-QEFK-0001
250	10	200	7.87	30	1.18	13°		32048-QEFK-0001
320	12	250	9.84	50	1.97	12°		32050-QEFK-0001

A = Uncompressed length
C = Max. deviation from axis

Flange: stainless steel AISI 304 (1.4301)
Bellows: stainless steel AISI 316Ti (1.4571)
Internal pressure: max. 1.5 bar

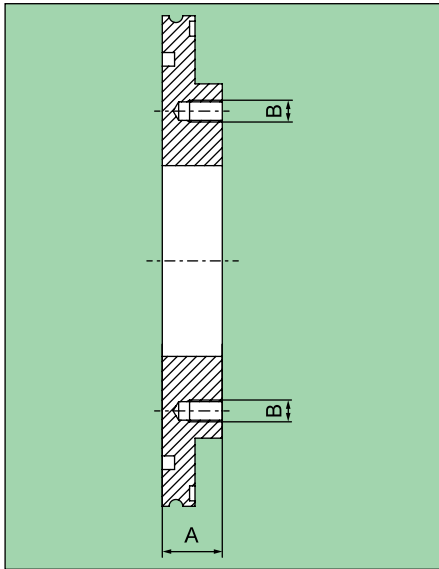


Spring bellows, long, ISO-K

DN		A		B		C		Ordering numbers
mm	inch	mm	inch	mm	inch			
63	2 1/2	250	9.84	250	9.84	160	6.30	32036-QEFK-ABR1
63	2 1/2	500	19.69	250	9.84	160	6.30	32036-QEFK-ABS1
63	2 1/2	750	29.53	250	9.84	160	6.30	32036-QEFK-ABT1
63	2 1/2	1000	39.37	250	9.84	160	6.30	32036-QEFK-ABP1
100	4	250	9.84	370	14.57	240	9.45	32040-QEFK-ABR1
100	4	500	19.69	370	14.57	240	9.45	32040-QEFK-ABS1
100	4	750	29.53	370	14.57	240	9.45	32040-QEFK-ABT1
100	4	1000	39.37	370	14.57	240	9.45	32040-QEFK-ABP1

B = Radius for several bendings
C = Radius for one bending

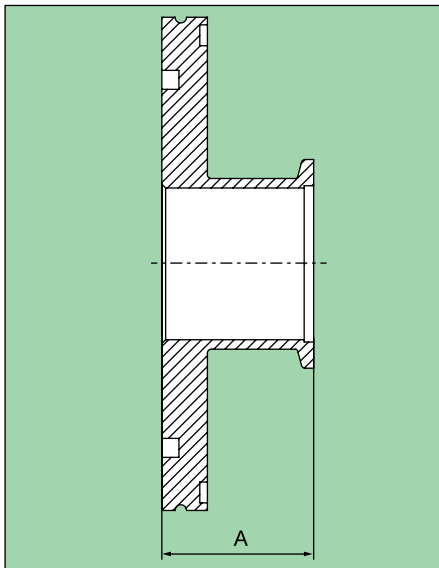
Flange: stainless steel AISI 304 (1.4301)
Bellows: stainless steel AISI 316Ti (1.4571)
Internal pressure: max. 1.5 bar



Adapter flange, ISO-K / ISO-F

DN				A		B	Ordering numbers
ISO-K		ISO-F		mm	inch	Gewinde	
mm	inch	mm	inch				
160	6	63	2 ½	22	0.87	M8	32044-QEAO-ACA1
160	6	100	4	25	0.98	M8	32044-QEAO-ACB1
200	8	100	4	20	0.79	M8	32046-QEAO-ACB1
200	8	160	6	25	0.98	M8	32046-QEAO-ACC1
250	10	160	6	22	0.87	M10	32048-QEAO-ACC1

Stainless steel AISI 304 (1.4301)

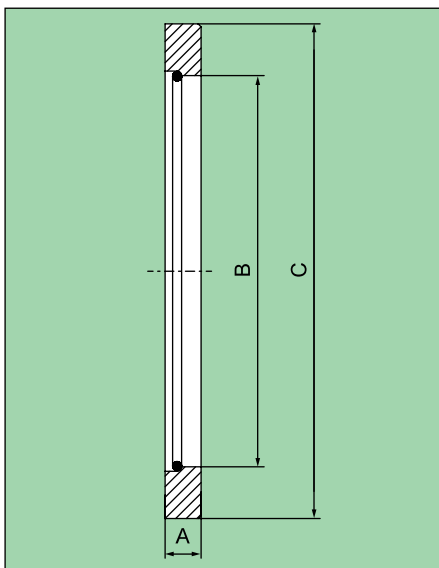


Adapter flange, ISO-K / ISO-F

DN				A		Ordering numbers
ISO-K		ISO-KF		mm	inch	
mm	inch	mm	inch			
63	2 ½	40	1 ½	40	1.57	32036-QAAK-ABJ1 ¹⁾
63	2 ½	50	2	45	1.77	32036-QAAK-ABX1 ¹⁾
63	2 ½	25	1	50	1.97	32036-QEAK-ABW1 ²⁾
63	2 ½	40	1 ½	40	1.57	32036-QEAK-ABJ1 ²⁾
63	2 ½	50	2	45	1.77	32036-QEAK-ABX1 ²⁾
100	4	40	1 ½	40	1.57	32040-QEAK-ABJ1 ²⁾

¹⁾ Aluminum EN AW-6082 (3.2315)

²⁾ Stainless steel AISI 304 (1.4301)



Rotatable flange, ISO-F

DN		A		B		C		Ordering numbers
mm	inch	mm	inch	mm	inch	mm	inch	
63	2 ½	12	0.47	95.5	3.76	130	5.12	
80	3	12	0.47	110.5	4.35	145	5.71	32038-QNUF-0001 ¹⁾
100	4	12	0.47	130.5	5.14	165	6.50	32040-QNUF-0001 ¹⁾
160	6	16	0.63	180.7	7.11	225	8.86	32044-QNUF-0001 ¹⁾
200	8	16	0.63	240.7	9.48	285	11.22	32046-QNUF-0001 ²⁾
250	10	16	0.63	290.7	11.44	335	13.19	32048-QNUF-0001 ²⁾
320	12	20	0.79	370.8	14.60	425	16.73	32050-QNUF-0001 ²⁾
400	16	20	0.79	450.8	17.75	510	20.08	32052-QNUF-0001 ²⁾
500	20	20	0.79	550.8	21.69	610	24.02	32054-QNUF-0001 ²⁾
630	25	24	0.94	691.0	27.20	750	29.53	32056-QNUF-0001 ²⁾

¹⁾ Flange: steel 1.0831, nickel-plated

²⁾ Flange: steel 1.0037, nickel-plated

Retaining ring: steel, nickel-plated