

## FAST CLOSING VALVE, SERIES 75.0 / 75.2

75.0 flap valve / 75.2 gate valve to preserve the vacuum in accelerators and storage rings in case of an air inrush.



Gate valve DN 40



Flap valve DN 63 – 200

Highly reliable

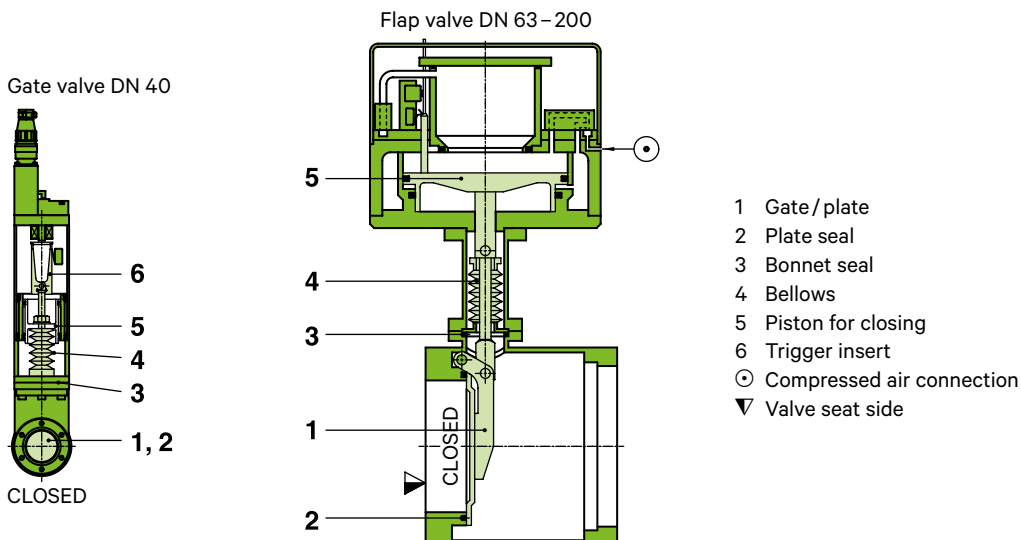
Maintenance-free

Part of a field-proven system

### MAIN FEATURES

Sizes	DN 40 – 200 mm (1½" – 8")
Actuators	pneumatic: double acting
Body material	stainless steel
Feedthrough	bellows
Standard flanges	CF-F

### FUNCTIONAL PRINCIPLE



## TECHNICAL DATA

Leak rate	Valve body Valve seat	<1·10 <sup>-10</sup> mbar ls <sup>-1</sup> <1·10 <sup>-9</sup> mbar ls <sup>-1</sup>
Pressure range		1·10 <sup>-10</sup> mbar to 2 bar (abs)
Differential pressure		see table below
Cycles until first service		2000
Bake-out temperature <sup>1)</sup>	Valve body Actuator	≤ 200 °C <sup>1)</sup> (DN 40: trigger insert removed) ≤ 50 °C
Radiation resistance	Valve body Plate seal Pneumatic actuator	10 <sup>8</sup> Gy <10 <sup>5</sup> Gy (option: 10 <sup>6</sup> Gy) 10 <sup>4</sup> Gy
Material	Valve body DN 40 DN 63 – 200 Mechanism DN 40 DN 63 – 200 Gate / plate 75.0 flap valve 75.2 gate valve Bellows	AISI 304 (1.4301) AISI 316L (1.4435) AISI 304 (1.4301) AISI 316L (1.4435) Titanium AISI 304 (1.4301) AISI 316L (1.4404, 1.4435)
Seal	Bonnet Gate / plate	metal FKM (Viton®)
Feedthrough		bellows
Mounting position		seat side (marked ▼) in opposite direction of the air inrush

DN (nominal I.D.)		CF-F flange	Conductance (molecular flow)	Differential pressure valve closed		Differential pressure at opening		Compressed air min. – max. overpressure		Volume of pneumatic actuator		Closing time <sup>2)</sup>	Opening time	Weight	
mm	inch	O. D.		In closing direction	In opening direction	In closing direction	In opening direction	bar	psi	l	ft <sup>3</sup>			kg	lbs
Gate valve 75.2															
40	1½	2¾	220	≤1.2	≤1.2	≤30	≤30	4–5	58–73	0.36	0.01	<10	9	2	4.5
Flap valve 75.0															
63	2½	4½	200	≤2	≤1.2	≤600	≤1000	5–8	73–116	3	0.11	13	7	25	55
100	4	6	700	≤2	≤1.2	≤180	≤1000	5–8	73–116	3	0.11	15	7	29	64
160	6	8	1700	≤2	≤0.5	≤50	≤1000	5–8	73–116	3	0.11	23	7	36	80
200	8	10	2500	≤2	≤0.07	≤25	≤1000	5–8	73–116	3	0.11	40	7	42	93

<sup>1)</sup> Maximum values: depending on operating conditions and sealing materials.

<sup>2)</sup> From closing signal to leaktight valve.

## OPTIONS, CUSTOMIZED SOLUTIONS

Customer-specified flanges

## SPARE PARTS

We can offer a wide variety of spare parts. Please contact us for details and an offer.

Thank you for specifying the fabrication number of the valve indicated on the identification tag when asking for spare parts.

## ACCESSORIES

- Flange connections for installation of the valve: see series 33
- Controller: see pages 328 – 329

## ORDERING INFORMATION FOR STANDARD VALVES

**75.2**  
Gate valve with pneumatic actuator  
double acting  
without controller

DN		Ordering numbers
mm	inch	CF-F
40	1½	75232-CE44

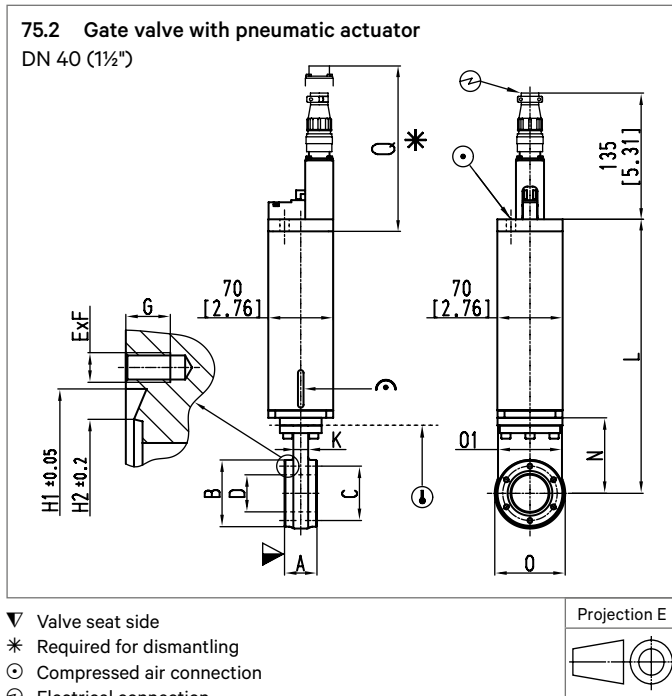
**75.0**  
Flap valve with pneumatic actuator  
double acting  
without controller

DN		Ordering numbers
mm	inch	CF-F
63	2½	75036-CE44
100	4	75040-CE44
160	6	75044-CE44
200	8	75046-CE44

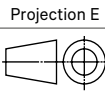
## ORDERING INFORMATION FOR VALVES WITH OPTIONS

Basic ordering number plus «-X»: -X to be specified  
Example: 75040-CE44-X, X = special flanges

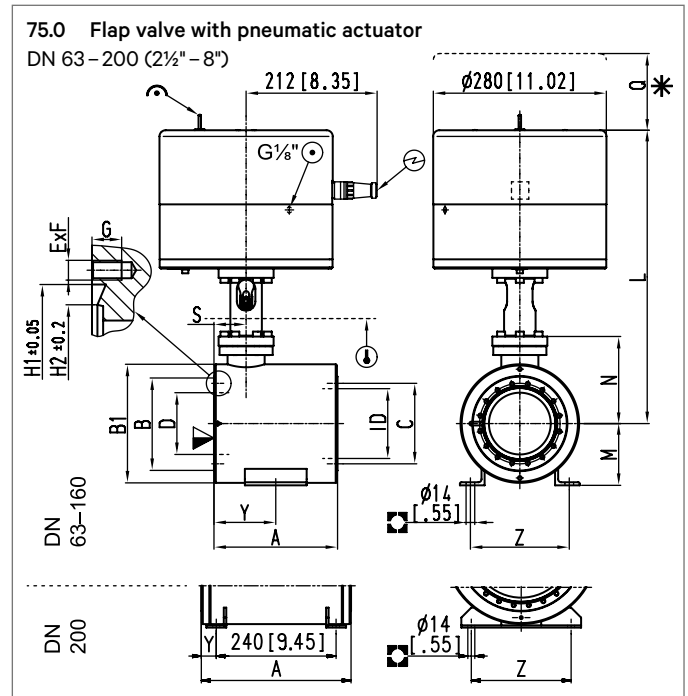
### MAIN DIMENSIONS



- ▼ Valve seat side
- \* Required for dismantling
- ⊗ Compressed air connection
- ⊙ Electrical connection
- ⊕ Mechanical position indication
- ⊖ Bake-out area
- For attachment



DN	mm	40			
	inch	1½			
A	mm	35			
	inch	1.38			
B	mm	72			
	inch	2.83			
C	mm	58.70			
	inch	2.31			
D	mm	40			
	inch	1.57			
E × F		6 × M6			
G	mm	7			
	inch	0.28			
H1	mm	48.35			
	inch	1.90			
H2	mm	42			
	inch	1.65			
K	mm	16			
	inch	0.63			
L	mm	295.50			
	inch	11.63			
N	mm	81.50			
	inch	3.21			
O	mm	76			
	inch	2.99			
O1	mm	69			
	inch	2.72			
Q	mm	195			
	inch	7.68			



DN	mm	63	100	160	200
	inch	2½	4	6	8
A	mm	150	200	250	300
	inch	5.91	7.87	9.84	11.81
B	mm	113.50	152	202.50	253
	inch	4.47	5.98	7.97	9.96
B1	mm	154	192	242	306
	inch	6.06	7.56	9.53	12.05
C	mm	92.10	130.30	181	231.80
	inch	3.63	5.13	7.13	9.13
D	mm	63	100	150	200
	inch	2.48	3.94	5.91	7.87
E × F		8 × M8	16 × M8	20 × M8	24 × M8
G	mm	12	12	12	12
	inch	0.47	0.47	0.47	0.47
H1	mm	82.55	120.65	171.50	222.35
	inch	3.25	4.75	6.75	8.75
H2	mm	77.40	115.50	166	217
	inch	3.05	4.55	6.54	8.54
ID	mm	76	113	164	214
	inch	2.99	4.45	6.47	8.43
L	mm	456	475	500	526
	inch	17.95	18.70	19.69	20.71
M	mm	80	100	125	160
	inch	3.15	3.94	4.92	6.30
N	mm	122	141	166	192
	inch	4.80	5.55	6.54	7.56
Q	mm	83	83	85	84
	inch	3.27	3.27	3.35	3.31
S	mm	52	52	52	52
	inch	2.05	2.05	2.05	2.05
Y	mm	75	100	125	30
	inch	2.95	3.94	4.92	1.18
Z	mm	120	160	160	200
	inch	4.72	6.30	6.30	7.87