

Main applications

For roughing/backing line isolation and rough metering of gases and liquids



Ordering information

Valve with manual actuator handwheel

DN		Ordering numbers	
mm	inch	Valve ISO-KF	Spare diaphragm
16	5/8	22024-KA01	100618-01
25	1	22028-KA01	100619-01
40	1 1/2	22032-KA01	100620-01

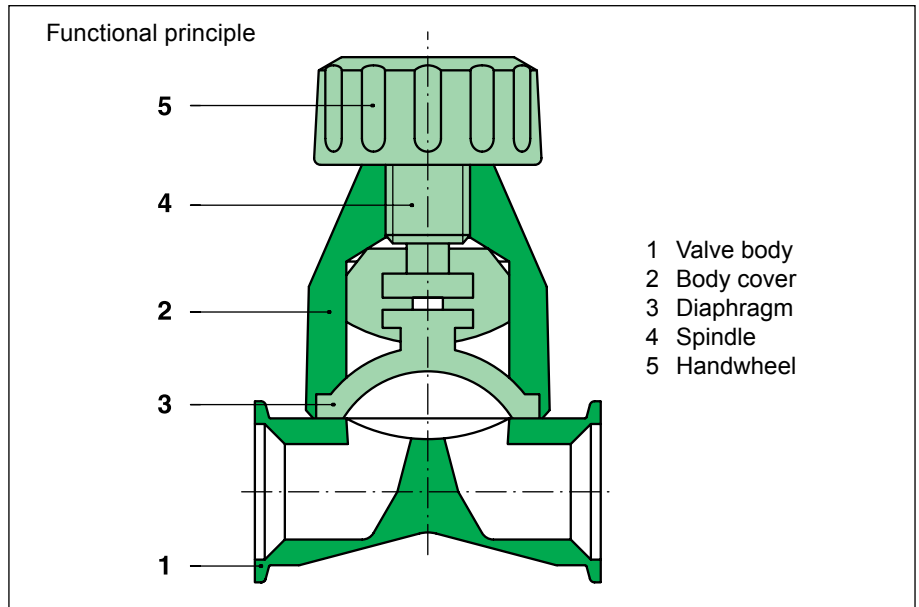
Technical data

Leak rate: valve body, valve seat	$< 1 \cdot 10^{-9}$ mbar ls ⁻¹
Pressure range	$1 \cdot 10^{-7}$ mbar to 5 bar (abs)
Cycles until first service	20 000
Temperature ¹⁾	
– Valve body	≤ 100 °C
– Actuator	≤ 50 °C
Material	
– Valve body	EN AW-6060 (3.3206), -6061 (3.3211), -6063 (3.3206), -6082 (3.2315)
– Actuator	plastic (POM)
Seal: diaphragm	FKM (Viton®)
Mounting position	any
Valve position indication	visual (mechanical)
Conductance (molecular flow)	
– DN 16 / 25 / 40	2 / 5 / 17 ls ⁻¹
Turns per stroke	
– DN 16 / 25 / 40	3.5 / 5 / 6.5
Weight	
– DN 16	0.16 kg / 0.35 lbs
– DN 25	0.50 kg / 1.10 lbs
– DN 40	1.20 kg / 2.60 lbs

¹⁾ Maximum values: depending on operating conditions and sealing materials

Features

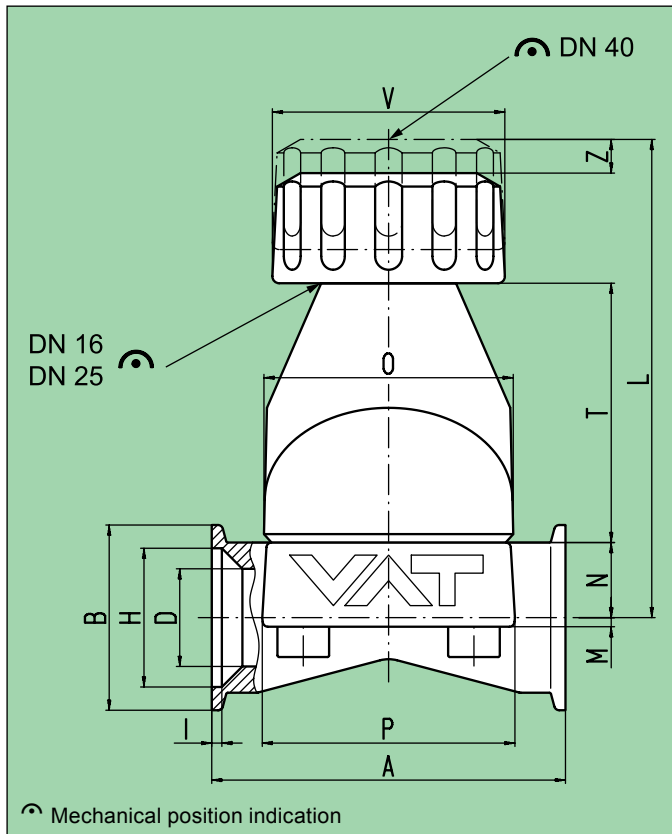
- Body material: aluminum
- Robust vacuum valve
- Easy replacement of the diaphragm



Spare parts

– Spare diaphragm
See ordering information

Dimensions



DN	mm inch	16 5/8	25 1	40 1 1/2
A	mm inch	52 2.05	80 3.15	105 4.13
B	mm inch	30 1.18	40 1.57	55 2.17
D	mm inch	15 0.59	19 0.75	29 1.14
H	mm inch	17.20 0.68	26.20 1.03	41.20 1.62
I	mm inch	3 0.12	3 0.12	3 0.12
L	mm inch	66.50 2.62	111 4.37	132 5.20
M	mm inch	10 0.39	2 0.08	2.70 0.11
N	mm inch	10 0.39	14 0.55	22.30 0.88
O	mm inch	□ 32×32 □ 1.26×1.26	□ 54×54 □ 2.13×2.13	□ 74×79 □ 2.91×3.11
P	mm inch	□ 32×32 □ 1.26×1.26	□ 54×54 □ 2.13×2.13	□ 75×80 □ 2.95×3.15
T	mm inch	27.50 1.08	56 2.20	77 3.03
V	mm inch	30 1.18	47.50 1.87	69 2.72
Z	mm inch	5.50 0.22	10 0.39	–