



VAT Vakuumventile AG
CH-9469 Haag, Schweiz

Product data sheet

Series 218, DN 10 – 40 ($\frac{3}{8}$ " - $1\frac{1}{2}$ ")

Ordering No. 218..-KX01-000.

Ball Valve

Manually

Advantages

- Rugged and cost effective
- Simple opening and closing by lever
- Unobstructed passage



Ordering Information

Selection Data

Vacuum connection	DN 10 ISO-KF	DN 16 ISO-KF	DN 25 ISO-KF	DN 40 ISO-KF
Body	brass nickel plated	brass nickel plated	brass nickel plated	brass nickel plated

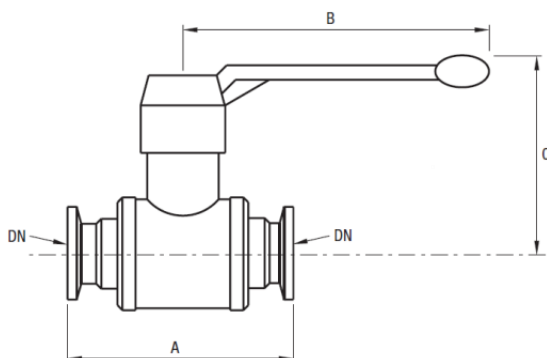
Ball Valve

Type:	21820-KX01-000.	21824-KX01-000.	21828-KX01-000.	21832-KX01-000.
-------	-----------------	-----------------	-----------------	-----------------

Specifications

Leak rate	mbar l/s	1×10^{-5}	1×10^{-5}	1×10^{-5}	1×10^{-5}
Conductance for molecular flow	l/s	1.5	3	9	30
Pressure range	mbar / bar min / max	1×10^{-5} / 5 (abs)	1×10^{-5} / 5 (abs)	1×10^{-5} / 5 (abs)	1×10^{-5} / 5 (abs)
Bakeout temperature	°C	80	80	80	80
Seals		PTFE	PTFE	PTFE	PTFE
Weight	kg	0.20	0.29	0.74	1.55

Dimensions



DN	A	B	C
DN 10 ISO-KF	75	83	47
DN 16 ISO-KF	100	95	51
DN 25 ISO-KF	130	110	64
DN 40 ISO-KF	160	160	85

Created by: T. Eugster	Release date: 2013-08-09	1 of 1
Modified by:	Release date:	602421EA