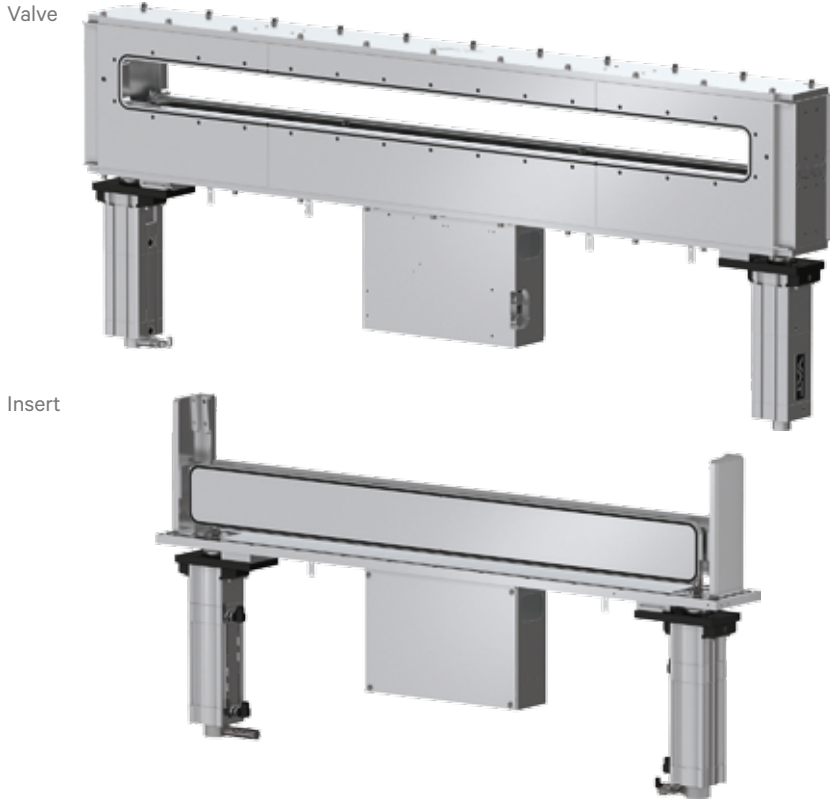


LARGE TRANSFER VALVE / INSERT XL-VAT, SERIES 06.0 / 06.2

For FPD production systems.



Adjustable sealing force
(high/low pressure)

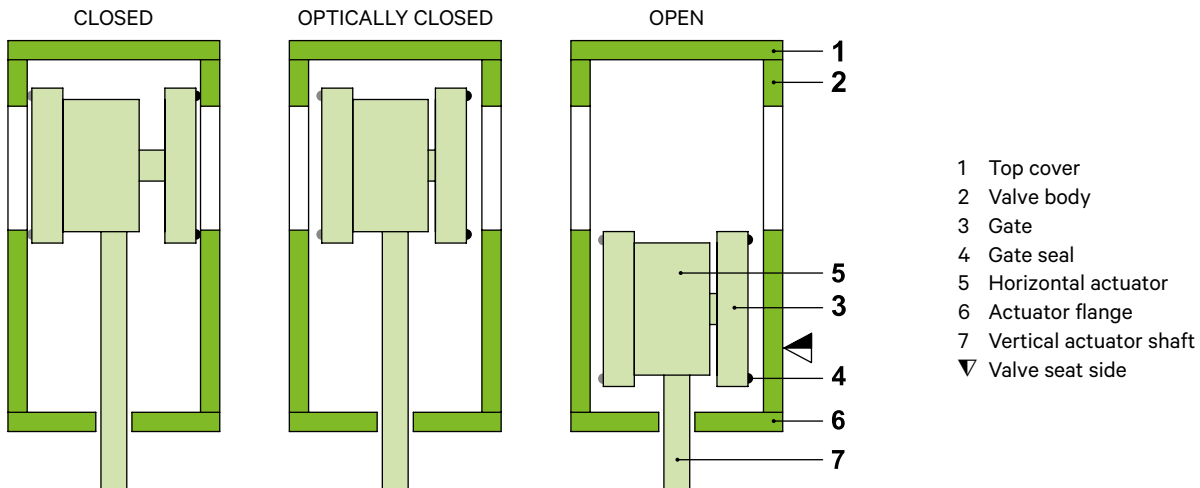
Same flange-to-flange dimension
for all opening sizes

Gate or gate seal maintenance
via top cover

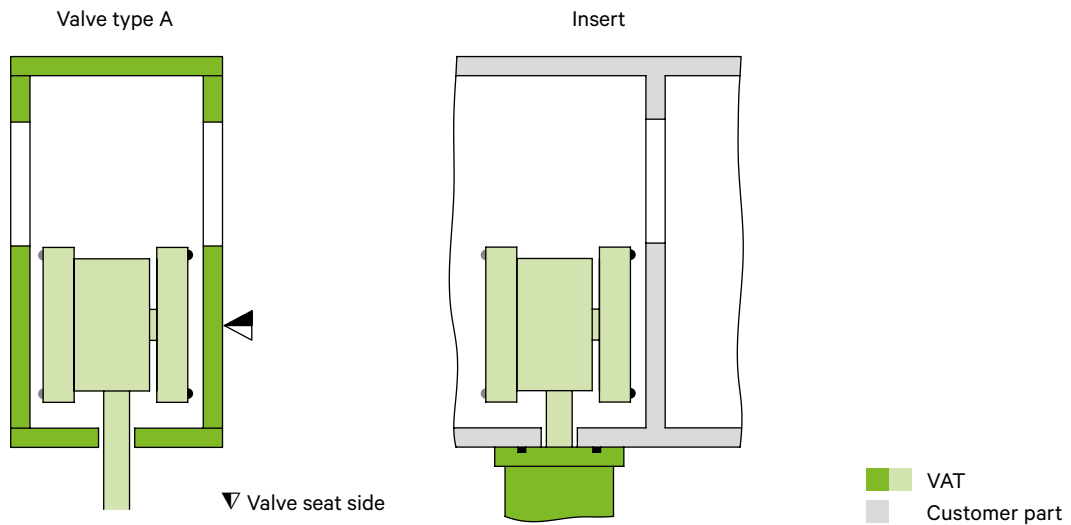
MAIN FEATURES

Opening sizes	100 × 1300 mm to 300 × 3000 mm (3.94" × 51.18" to 11.81" × 118.11")
Actuator	pneumatic: double acting with position indicator
Body material	aluminum
Feedthrough	shaft feedthrough

FUNCTIONAL PRINCIPLE



TYPES



TECHNICAL DATA

Leak rate ¹⁾	Valve body, valve seat	$< 1 \cdot 10^{-7}$ mbar ls ⁻¹
Differential pressure on the gate	In closing direction	≤ 1 bar
	In opening direction	valve 1 bar, insert 10 mbar
Differential pressure at opening		≤ 5 mbar
Cycles until first service ¹⁾²⁾		1 million
Closing or opening time ¹⁾		≤ 4 s (with 120 mm opening height)
Temperature ¹⁾	Valve body, flanges	≤ 120 °C
	Actuator	≤ 80 °C
	Control unit	≤ 50 °C
Material	Valve body, gate, flanges	EN AW-6082 (3.2315), EN AW-5083 (3.3547)
	Actuator shafts	AISI 316 (1.4401)
Seal	Gate, flanges, feedthrough	FKM (Viton®)
Feedthrough		shaft feedthrough
Mounting position ²⁾		actuator up or down
Position indicator	Voltage	24 V DC PNP (NPN optional)

¹⁾ Maximum values: depending on operating conditions and sealing materials.

²⁾ In the mounting position «actuator lateral» the cycles until first service will be reduced to 0.5 million.

OPTIONS, CUSTOMIZED SOLUTIONS

- Other sealing materials
- Bellows
- Shaft feedthrough with intermediate pumping
- Grounding of gate
- Surface treatment, e. g. hard anodized aluminum
- Mounting position: actuator lateral

ORDERING INFORMATION

Ordering numbers on request (example: 0600X-AA49- . . .)