

AV10K Air Admittance Valve



The AV10K is manufactured in aluminum alloy. It has a control knob attached to a screw-actuated plunger: turn the control knob clockwise to close the valve. A nitrile 'O' ring seals the plunger to the valve body.

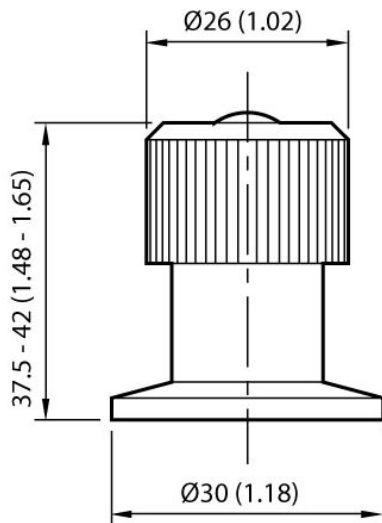
The valve can be pipeline supported only, and is connected to the vacuum system with an NW10 fitting.

Dimensions

Technical Data

5

Page
194



Materials of construction

Body	HE30 aluminum
Control knob	Nylon 6
Seal	Nitrile
Leak rate across seat	10^{-7} mbar ls ⁻¹ / 8×10^{-8} Torr ls ⁻¹
Leak rate through body	10^{-1} mbar ls ⁻¹ / 8×10^{-2} Torr ls ⁻¹
Vacuum connections	NW10
Weight	100 g / 3.5 oz

Ordering Information

Product Description	Order No.
AV10K Air Admittance Valve	C35103000
Accessories & Spares	Order No.
O Ring Nitrile Vor 2A Pk 10	H02105115